

Lieber Modellbaufreund!

Wir freuen uns, daß Sie sich für ein wertvolles Modell von WEDICO entschieden haben! Für die Herstellung unserer Einzelteile haben wir Materialien verwendet, wie Sie sie heute nur noch selten finden. Dies garantiert Ihnen auch nach Jahren noch einen hohen Gebrauchswert und Freude an Ihrem Modell.

Sollten Sie einmal ein **Ersatzteil** benötigen, so bestellen Sie es bitte mit der in der Gesamt-Stückliste aufgeführten 5-stell. **EDV-Nummer**, sowie mit detaillierten Angaben wie Farbe, Anzahl und Bezeichnung bei Ihrem Fachhändler. Sie können sicher sein, daß Ihr Ersatzteil von WEDICO normalerweise in kürzester Zeit geliefert wird. Sollte Ihr Fachhändler nicht in der Lage sein, ein einzelnes Bauteil als Ersatzteil zu beschaffen, so können Sie das benötigte Teil auch schriftlich oder telefonisch direkt bei WEDICO bestellen.

Viel Freude beim Zusammenbau!

Ihr WEDICO-Team

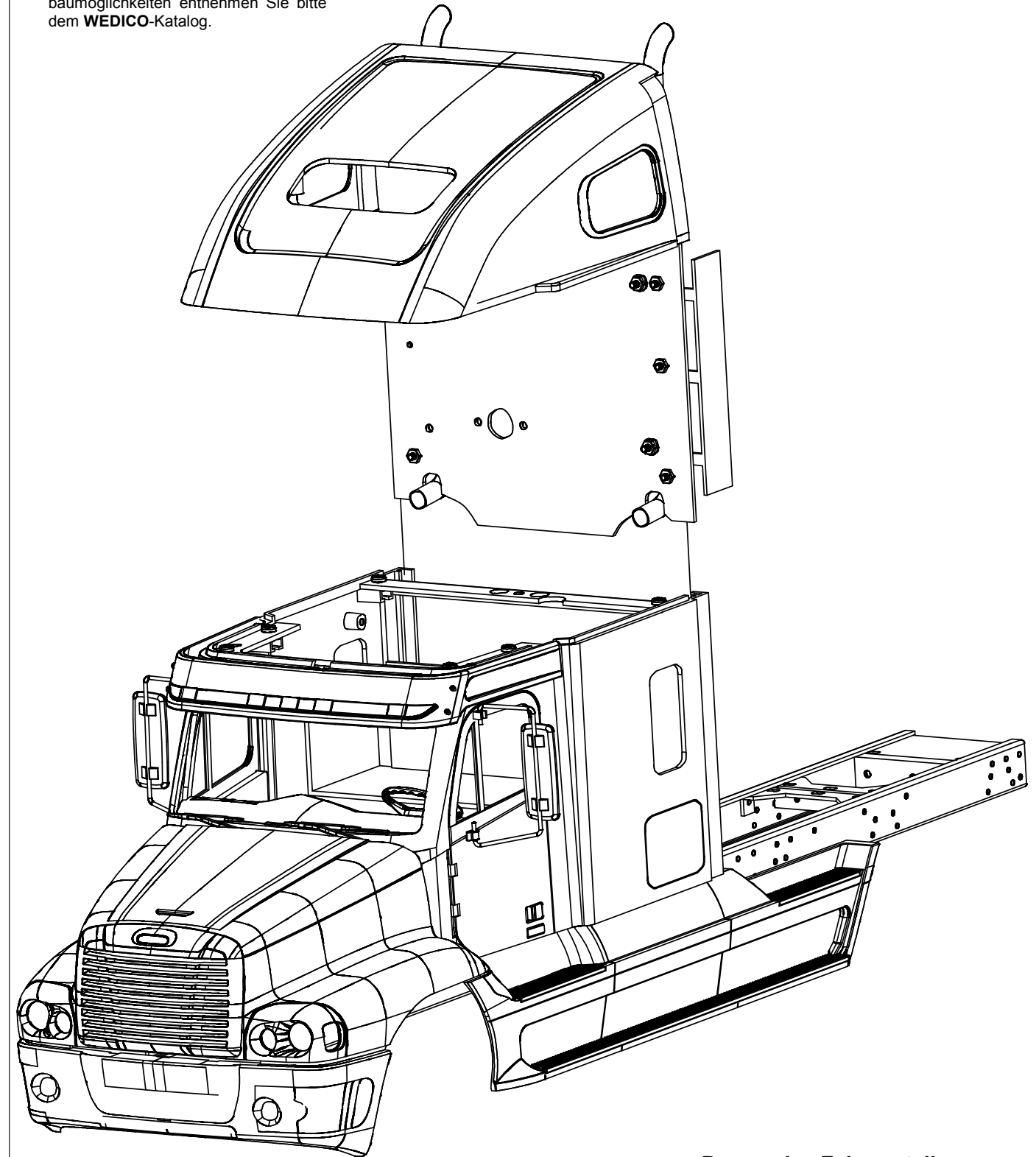
Tipp: Diese Bauanleitung ist so aufgebaut, daß Sie daraus ein Heft bauen können, indem Sie die Seiten wie angegeben falten und zusammenkleben. Legen Sie dazu:

1. das **erste Blatt** mit dem **deutschen Text nach unten**, und das **folgende Blatt** mit dem **deutschen Text nach oben** übereinander,
2. kleben Sie dann beide Blätter an der linken Außenkante zusammen (z.B. mit einem Klebestift) und falten das obere Blatt senkrecht in der Mitte,
3. legen Sie nun das **nächste Blatt** mit dem **deutschen Text nach oben** darüber, kleben es an der linken Außenkante an und falten das obere Blatt wieder senkrecht in der Mitte. Mit weiteren Blättern wird ebenso verfahren.
4. Zum Schluß alle Blätter auch an den Innenkanten aneinander kleben, das unten liegende **erste Blatt als Einband** um das Ganze legen und festkleben.

Zubehör (Auswahl):

- RC-Antenne Art.-Nr. 155
- Elektrische Anlage Art.-Nr. 783
- Elektrische Anlage „MF“ Art.-Nr. 796

Vorschläge und Ideen für weitere Ausbaumöglichkeiten entnehmen Sie bitte dem **WEDICO-Katalog**.



Passendes Fahrgestell:

Profi- Fahrgestell... Art. Nr. : 735.

Dear modelling enthusiasts!

We are glad that you have decided on one of the precious **WEDICO** truck models! For the manufacture of individual parts **WEDICO** uses durable materials of high quality - rarely to find in these days. This guarantees durability and enjoyment of your model for years to come.

If you should ever require replacement parts, please get in touch with your dealer or directly with **WEDICO**. For order purpose it is important using not only those EDP-numbers mentioned within the general parts list but also indicating the necessary details concerning colour, quantity and exact term of the spares required. You may be assured that **WEDICO** will supply the replacement part as quick as possible.

Enjoy assembling your truck!

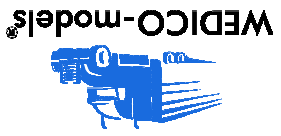
Your **WEDICO**-Team

Tip: The make-up of this instruction allows putting together your own booklet if you wish so. For this purpose you have to fold and stick the pages as follows:

1. Turn round the **first page** with the **English text facing downwards**, and lay the **next page** on top of the first, with the **English text facing upwards**.
2. Glue the two pages together at the left outer edge (e.g. using adhesive tip) and fold the top page across to the left (with the fold vertically in the middle).
3. Lay the **next page** on top of the previous one with the **English text facing upwards**, stick the left outer edges and fold over to the left again as before. Similarly add the remaining pages.
4. Finally glue together all pages at the inner edges, too, and **fold the original page over as a cover**, sticking it firmly at the left hand edge.

© 2018 by WEDICO-models, Cathorst, 5b, 45356 Essen, Germany, www.WEDICO.de
We can assume no liability for technical or typographical errors.
We reserve the right to incorporate technical modifications.
Duplication and reproduction only with our express consent!

ASSEMBLY INSTRUCTION

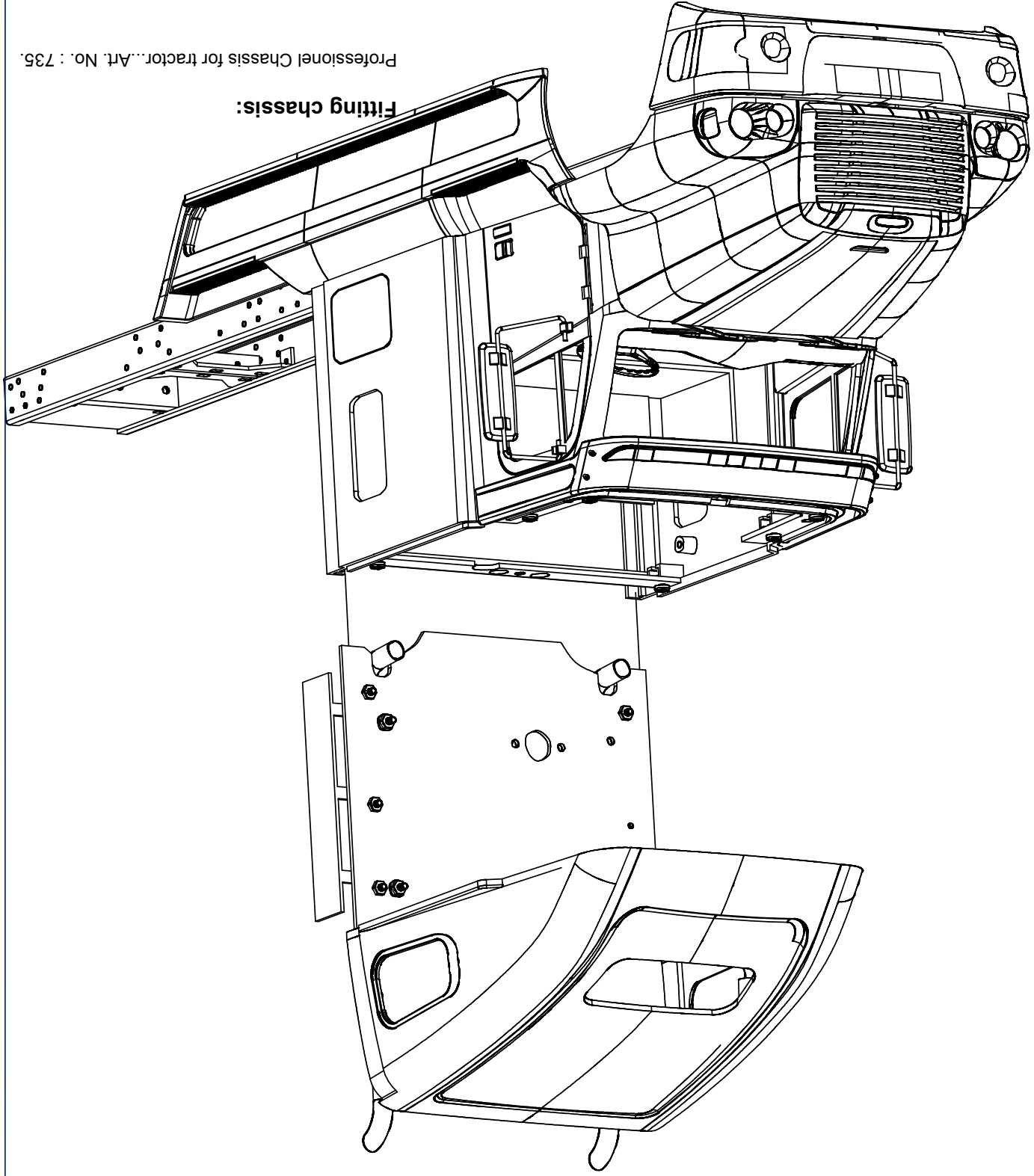


Accessories (options) :

RC-AntennaArt.-No. 155
Electrical SystemArt.-No. 782
Electrical System "MF"Art.-No. 796

For various other possibilities of outfit please find our suggestions and tips in the **WEDICO** catalog.

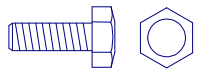
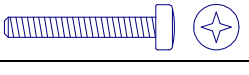

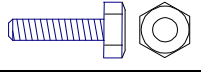
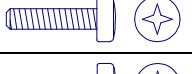

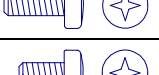







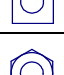




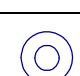
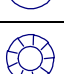
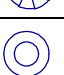


Freightliner Cab
Century Class
Art.-Nr. 237 white
Art.-Nr. 238 yellow
Art.-Nr. 239 black
Art.-Nr. 240 red



Fitting chassis:

Professional Chassis for tractor...Art. No. : 735.

Screws, washers, etc. at scale 1:1

	Hex head nute M4 x 14 Part No 27224 DIN 933
	Screw M3 x 20 Part No 20224 DIN 7985
	Stud bolt M3 x 18 Part No 20258 DIN 551
	Hex head screw M3 x 12 Part No 30122 DIN 933
	Screw M3 x 12 Part No 20224 DIN7985
	Screw M3 x 10 Part No 20020 DIN 7985
	Screw M3 x 8 Part No 20018 DIN 7985
	Screw M3 x 6 Part No 20016 DIN 7985
	Countersunk screw M3 x 6 Part No 20028 DIN 965
	Tapping screw 2,2 x 6,5 Part No 23690 DIN 7981
	Tapping screw 2,2 x 4,5 Part No 20052 DIN 7981
	Screw M2 x 8 Part No 21269 DIN 7985
	Screw M2 x 6 Part No 21268 DIN 7985
	Screw M2 x 5 Part No 26238 DIN 7985
	Nute M3 20040-DIN 934
	Square nute M3 Part No 20044 DIN 562
	Hex head nute M3 (Stop nute) Part No 30568 DIN 985
	Nute M2 Part No 21208 DIN 934
	Washer phi 4,3 Part No 20048 DIN 125
	Washer phi 3,2 big Part No 20190 DIN 9021
	Washer phi 3,2 Part No 20046 DIN 125
	Serated washer phi 3,2 Part No 20054 DIN 6798
	Spring washer phi 3,2 Part No 20056 DIN 137
	Washer phi 2,2 Part No 21210 DIN 125

General notes

Before you start the assembly of your cab you must have decided:

- whether to mount the cab with or without the sleeper,
- whether your truck should be used as a static model (without the electrical equipment and without radio controlled functions) or as a driving model.

Electrical Installation

If you intend adding the lighting we recommend using the following articles:

- **Electrical System for Conventional Truck, Art.-Nr. 782**, and as a supplement to this system the **Infrared System as Transmitter System, Art.-No. 790**, to enable the wireless transmission of all the information to your semi- or full trailer.
- **Electrical System "MF", Art.-No. 796**: This System allows not only the wireless transmission of all information to your semi-, or full trailer, but is also able to transmit proportional pulses.

The assembly instruction

Please follow the steps of assembly accordingly to the instructions. Each single assembly step is described and illustrated, and furthermore does the **parts lists** indicate the required components for the actual construction step. Carefully observe the notes explaining the various steps of assembly and use only those parts which are provided. This will insure a correct result of assembly.

Individual assembly parts contained in **different kits** are denoted with their part number in **brackets**. **Accessories** are indicated on the assembly plan with the appropriate **Art.-No.** **Individual components in the accessory kits** are denoted by a **boldface A in front of the identification number** and not included in the parts list.

For easier identification of different screws and washers, on the left side of this page we are adding an illustration of the **most important parts at original scale**. Not illustrated parts are to be identified by comparing the proportion.

	Technical description
Cab	Die cast aluminium and sheet, stainless steel threaded connectors and bending wire components, high impact plastic components. All individual parts are screwed. All models may be dismantled and reassembled again. Hood tiltable. The model is prepared for RC-installation.
Colour	Extremely hard epoxy powder coating. Excellent base when repainting for special purposes.
Measurements	Length 215 mm Width 178 mm Height 168 mm Weight 0,8 kg

Qty	EDP No.	Assembly part	Qty	EDP No.	Assembly part
2	20028	Countersunk screw M 3 x 6	1	30170	Support lamp, bumper right
5	20034	Screw M 3 x 10	2	30172	Headlight lens, bumper smal
20	20040	Nut M 3	2	30174	Headlight lens, bumper big
26	20044	Square nut M 3	1	30176	Rear panel cab, Centutry
49	20046	Washer 3,2	2	30178	Exhaust shield
2	20052	Tapping screw phi 2,2 x 4,5	2	30180	Exhaust tail pipe
4	20054	Serated washer A phi 3,2	2	30182	Handle
2	20056	Spring washer A phi 3,2	2	30184	Support side spoiler
20	20074	Muffler	1	30186	Cab door left
4	20079	Muffler cup	1	30188	Cag door right
2	20084	Door handle	1	30190	Mirror support left
2	20086	Door lock	1	30192	Mirror support right
4	20088	Spring bushing	1	30194	Inside door panel left
4	20224	Screw M 3 x 20	1	30196	Inside door panel right
3	20238	Screw M 2 x 5	2	30198	Side mirror
4	20258	Stud bolt M 3 x 18	2	30200	Door window
28	20268	Screw M 2 x 8	2	30202	Logo door
2	20360	Clips (Mirror top)	2	30204	Mirror foil
4	20426	Fixing cap for exhaust screen	1	30206	Roof Freightliner
2	21202	Exhaust manifold	1	30208	Upper window top
36	21208	Nut M 2	1	30210	Upper window left
28	21210	Washer phi 2,2	1	30212	Upper windows right
8	21268	Screw M 2 x 6	1	30214	Ground plate
1	21962	Seat mounting panel	1	30216	Upper side body right
2	22900	Washer phi 3,2 big	1	30218	Upper side body left
2	23690	Tapping screw phi 2,2 x 6,5	1	30220	Connection plate front
2	24288	Door lock (Volvo)	1	30222	Connection plate rear
2	24292	Mirror hinge, bottem	1	30224	Dashboard connection plate
2	24304	Lock guide, door	1	30226	Dashboard
2	25976	Door hinge 1 (Peterbilt)	1	30228	Gear shifter
2	25978	Door hinge front unit, top (Peterbi)	1	30230	Steering wheel
2	25980	Pin for door hinge (Peterbilt) 36mm	2	30232	Lower window
2	26018	Door hinge 2 (Peterbilt)	2	30234	Windsreen wiper
2	26020	Door hinge front unit, bottem(Pet.)	1	30236	Windscreen
2	26030	Socket, bucket seat	1	30238	Sun visor
2	26032	Back, bucket seat	2	30240	Survvisor lens
2	26034	Foot,bucket seat	2	30242	Battery box
4	27224	Hex head screw M 4 x 14	1	30244	Support driver's cap, rear
1	27290	Guide sheet for roof,	1	30246	Connection plate, lower side body
1	27292	Locking sheet for roof, left	1	30248	Reinforcement plate
1	27294	Locking sheet for roof, right	1	30250	Support driver's cap, front right
4	28870	Distance sleeve	4	30252	Support driver's cab, front left
4	30110	Distance bolt M 3 x 6	8	30254	Bumper bracket
4	30112	Rim adapter for widening of track	1	30256	Lower side body right
2	30122	Hex head screw M 3 x 12	1	30258	Lower side body left
1	30134	Hood Freightliner	2	30260	Short step board, rear
1	30136	Radiator grill Freightliner	1	30262	Short step board, front left
1	30146	LOGO	2	30264	Short step board, front right
1	30148	Headlight housing left	1	30266	Long step board
1	30150	Headlight housing right	2	30268	Side spoiler right
2	30152	Headlight lens smal - yellow	1	30270	Side spoiler left
2	30154	Headlight lens big	1	30272	Support for hood hinge
1	30156	Rectangular lens left - yellow	1	30274	Side spoiler lens
1	30158	Rectangular lens right - yellow	1	30276	Step footboard, rear
1	30160	Lampe support left	1	30278	Support footboard, rear
1	30162	Lampe support right	2	30552	Double sided adhesive pad
1	30164	Bumper front	13	30568	Hex head nut M 3 (Stop nut)

Qty.	EDP No.	Assembly part	Qty.	EDP No.	Assembly part
34	20016	Screw M 3 x 6	1	30166	Hood hinge

	Part No 27224 DIN 933	Hex head nute M4 x 14
	Part No 20224 DIN 7985	Screw M3 x 20
	Part No 20258 DIN 551	Stud bolt M3 x 18
	Part No 30122 DIN 933	Hex head screw M3 x 12
	Part No 20224 DIN 7985	Screw M3 x 12
	Part No 20020 DIN 7985	Screw M3 x 10
	Part No 20018 DIN 7985	Screw M3 x 8
	Part No 20016 DIN 7985	Screw M3 x 6
	Part No 20028 DIN 965	Countersunk screw M3 x 6
	Part No 23690 DIN 7981	Tapping screw 2,2 x 6,5
	Part No 20052 DIN 7981	Tapping screw 2,2 x 4,5
	Part No 21269 DIN 7985	Screw M2 x 8
	Part No 21268 DIN 7985	Screw M2 x 6
	Part No 26238 DIN 7985	Screw M2 x 5
	20040-DIN 934	Nute M3
	Part No 20044 DIN 562	Square nute M3
	Part No 30568 DIN 985	Hex head nute M3 (Stop nute)
	Part No 21208 DIN 934	Nute M2
	Part No 20048 DIN 125	Washer phi 4,3
	Part No 20190 DIN 9021	Washer phi 3,2 big
	Part No 20046 DIN 125	Washer phi 3,2
	Part No 20054 DIN 6798	Serated washer phi 3,2
	Part No 20056 DIN 137	Spring washer phi 3,2
	Part No 21210 DIN 125	Washer phi 2,2

General notes	Before you start the assembly of your cab you must have de- cidet: • whether to mount the cab with or without the sleeper, • whether your truck should be used as a static model (without the electrical equipment and without radio con- trolled functions) or as a driving model. Electrical installation If you intend adding the lighting we recommend using the fol- lowing articles: • Electrical System for Conventional Truck, Art.-Nr. 782 , and as a supplement to this system the Infrared Sys- tem as Transmitter System, Art.-No. 790 , to enable the wireless transmission of all the information to your semi- trailer. • Electrical System "MC", Art.-No. 796 : This System al- lows not only the wireless transmission of all information to your semi-, or full trailer, but is also able to transmit pro- portional pulses. The assembly instruction Please follow the steps of assembly accordingly to the in- structions. Each single assembly step is described and illus- trated, and furthermore does the parts lists indicate the re- quired components for the actual construction step. Carefully observe the notes explaining the various steps of assembly and use only those parts which are provided. This will insure a correct result of assembly. Individual assembly parts contained in different kits are de- noted with their part number in brackets . Accessories are in- dicated on the assembly plan with the appropriate Art.-No. Individual components in the accessory kits are denoted by a boldface A in front of the identification number and not included in the parts list. For easier identification of different screws and washers, on the left side of this page we are adding an illustration of the most important parts at original scale . Not illustrated parts are to be identified by comparing the proportion.
Technical description	
Cab	Die cast aluminium and sheet, stainless steel threaded connectors and bending wire compo- nents, high impact plastic components. All individual parts are screwed. All models may be dismounted and reassembled again. Hood tiltable. The model is prepared for RC-Installation.
Colour	Extremely hard epoxy powder coating. Excel- lent base when repainting for special purposes.
Measure-	Length..... 215 mm Width..... 178 mm Height..... 168 mm Weight..... 0,8 kg

Qty.	EDP No.	Assembly part
34	20016	Screw M 3 x 6
1	30166	Hood hinge
Qty.	EDP No.	Assembly part

2	20028	Countersunk screw M 3 x 6	1	30170	Support lamp, bumper right
5	20034	Screw M 3 x 10	2	30172	Headlight lens, bumper smal
20	20040	Nut M 3	2	30174	Headlight lens, bumper big
26	20044	Square nut M 3	1	30176	Rear panel cab, Century
49	20046	Washer 3,2	2	30178	Exhaust shield
2	20052	Tapping screw phi 2,2 x 4,5	2	30180	Exhaust tail pipe
4	20054	Serated washer A phi 3,2	2	30182	Handle
2	20056	Spring washer A phi 3,2	2	30184	Support side spoiler
20	20074	Muffler	1	30186	Cab door left
4	20079	Muffler cup	1	30188	Cag door right
2	20084	Door handle	1	30190	Mirror support left
2	20086	Door lock	1	30192	Mirror support right
4	20088	Spring bushing	1	30194	Inside door panel left
4	20224	Screw M 3 x 20	1	30196	Inside door panel right
3	20238	Screw M 2 x 5	2	30198	Side mirror
4	20258	Stud bolt M 3 x 18	2	30200	Door window
28	20268	Screw M 2 x 8	2	30202	Logo door
2	20360	Clips (Mirror top)	2	30204	Mirror foil
4	20426	Fixing cap for exhaust screen	1	30206	Roof freightliner
2	21202	Exhaust manifold	1	30208	Upper window top
36	21208	Nut M 2	1	30210	Upper window left
28	21210	Washer phi 2,2	1	30212	Upper windows right
8	21268	Screw M 2 x 6	1	30214	Ground plate
1	21962	Seat mounting panel	1	30216	Upper side body right
2	22900	Washer phi 3,2 big	1	30218	Upper side body left
2	23690	Tapping screw phi 2,2 x 6,5	1	30220	Connection plate front
2	24288	Door lock (volvo)	1	30222	Connection plate rear
2	24292	Mirror hinge, bottem	1	30224	Dashboard connection plate
2	24304	Lock guide, door	1	30226	Dashboard
2	25976	Door hinge 1 (Peterli)	1	30228	Gear shifter
2	25978	Door hinge front unit, top (Peterli)	1	30230	Steering wheel
2	25980	Pin for door hinge (Peterli) 36mm	2	30232	Lower window
2	26018	Door hinge 2 (Peterli)	2	30234	Windsreen wiper
2	26020	Door hinge front unit, bottem(Pel.)	1	30236	Windscreen
2	26030	Socket, bucket seat	1	30238	Sun visor
2	26032	Back, bucket seat	2	30240	Survivor lens
2	26034	Foot,bucket seat	2	30242	Battery box
4	27224	Hex head screw M 4 x 14	1	30244	Support driver's cap, rear
1	27290	Guide sheet for roof,	1	30246	Connection plate, lower side body
1	27292	Locking sheet for roof, left	1	30248	Reinforcement plate
1	27294	Locking sheet for roof, right	1	30250	Support driver's cap, front right
4	28870	Distance sleeve	4	30252	Support driver's cab, front left
4	30110	Distance bolt M 3 x 6	8	30254	Bumper bracket
4	30112	Rim adapter for widening of track	1	30256	Lower side body right
2	30122	Hex head screw M 3 x 12	1	30258	Lower side body left
1	30134	Hood freightliner	2	30260	Short step board, rear
1	30136	Radiator grill Freightliner	1	30262	Short step board, front left
1	30146	LOGO	2	30264	Short step board, front right
1	30148	Headlight housing left	1	30266	Long step board
1	30150	Headlight housing right	2	30268	Side spoiler right
2	30152	Headlight lens smal - yellow	1	30270	Side spoiler left
2	30154	Headlight lens big	1	30272	Support for hood hinge
1	30156	Rectangular lens left - yellow	1	30274	Side spoiler lens
1	30158	Rectangular lens right - yellow	1	30276	Step footboard, rear
1	30160	Lampe support left	1	30278	Support footboard, rear
1	30162	Lampe support right	2	30552	Double sided adhesive pad
1	30164	Bumper front	13	30568	Hex head nut M 3 (Stop nut)

Complete list of parts necessary for the assembly (please use EDP-number when ordering spare parts)

1. Zusammenbau der Motorhaube

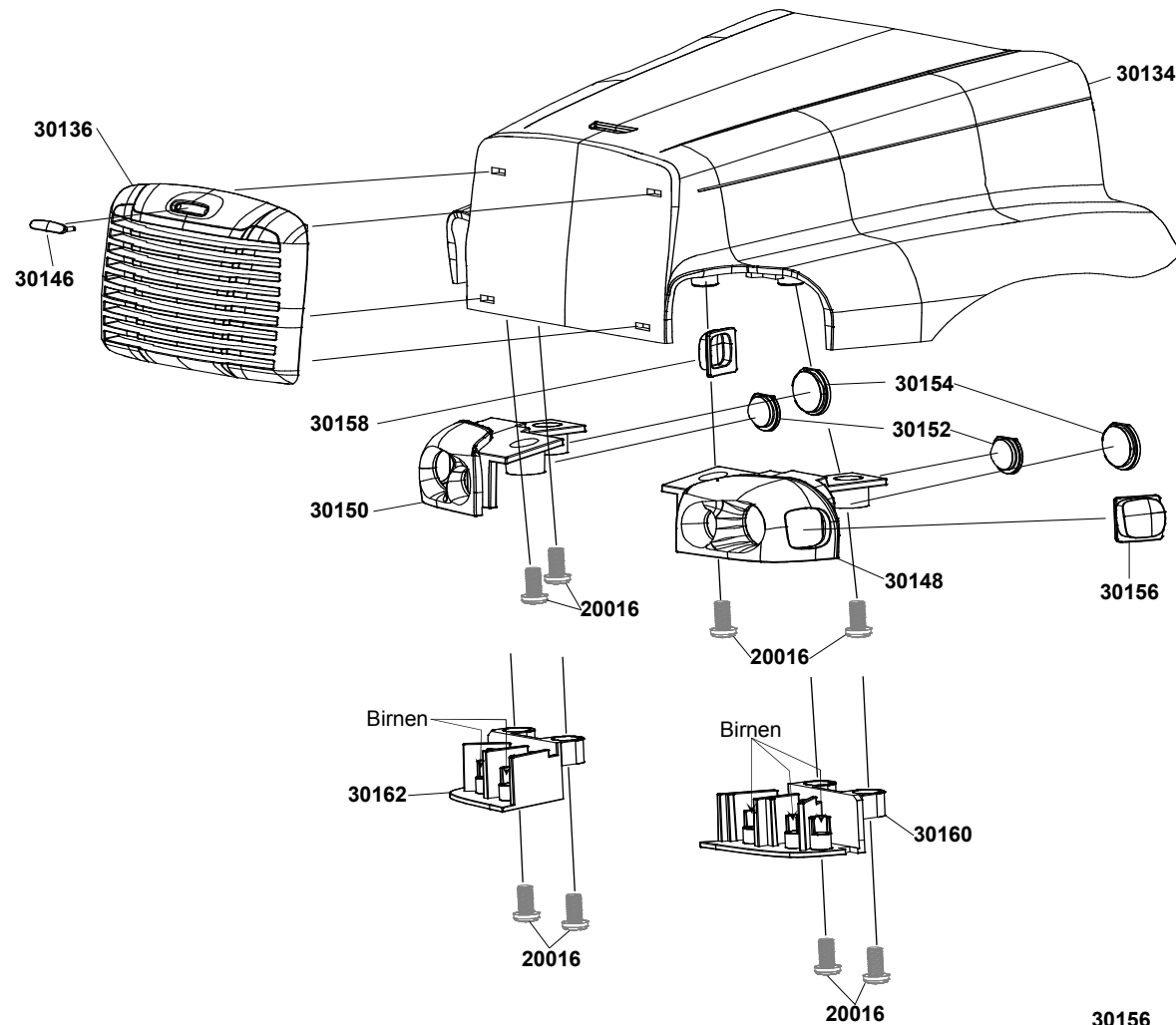
➔ **Bei Einbau einer elektrische Anlage:** Setzen Sie zuerst die in der elektrischen Anlage enthaltenen Birnen in die Lampenhalter ein.

Das Hersteller LOGO wird in die entsprechende Öffnung am Kühlergrill eingesetzt. Verkleben Sie das LOGO oder verschweißen Sie die überstehenden Zapfen mit einem heissen LötKolben **VORSICHT!**. Der Kühlergrill wird nun in die Schlitze der Motorhaube eingesetzt. Sie können den Kühlergrill aufkleben oder aber wie beim LOGO mit einem LötKolben auf der Rückseite verformen.

Drücken Sie die Blinkergläser **30156** links und **30158** rechts in die Scheinwerfergehäuse **30148** und **30150**. Weiterhin werden die Scheinwerfergläser **30152** klein und **30154** gross in die entsprechenden Scheinwerfergehäuse eingebracht. Mit 2 Schrauben **20016** M3 x 6 befestigen Sie jetzt die Scheinwerfergehäuse an der Motorhaube.

Die mit Birnchen, wenn gewünscht, versehenen Lampenhalter **30160** links und **30162** rechts werden ebenfalls unter die Motorhaube mit jeweils 2 Schrauben **20016** M 3 x 6 befestigt.

Baustufe 1 Motorhaube		
Anz.	Nr.	Bauteil
8	20016	Schraube M3 x 6
1	30134	Motorhaube Freightliner
1	30136	Kühlergrill Freightliner
1	30146	Hersteller LOGO
1	30148	Scheinwerfergehäuse links
1	30150	Scheinwerfergehäuse rechts
2	30152	Scheinwerferglas klein - gelb
2	30154	Scheinwerferglas gross
1	30156	Blinkerglas links - gelb
1	30158	Blinkerglas rechts - gelb
1	30160	Lampenhalter links
1	30162	Lampenhalter rechts

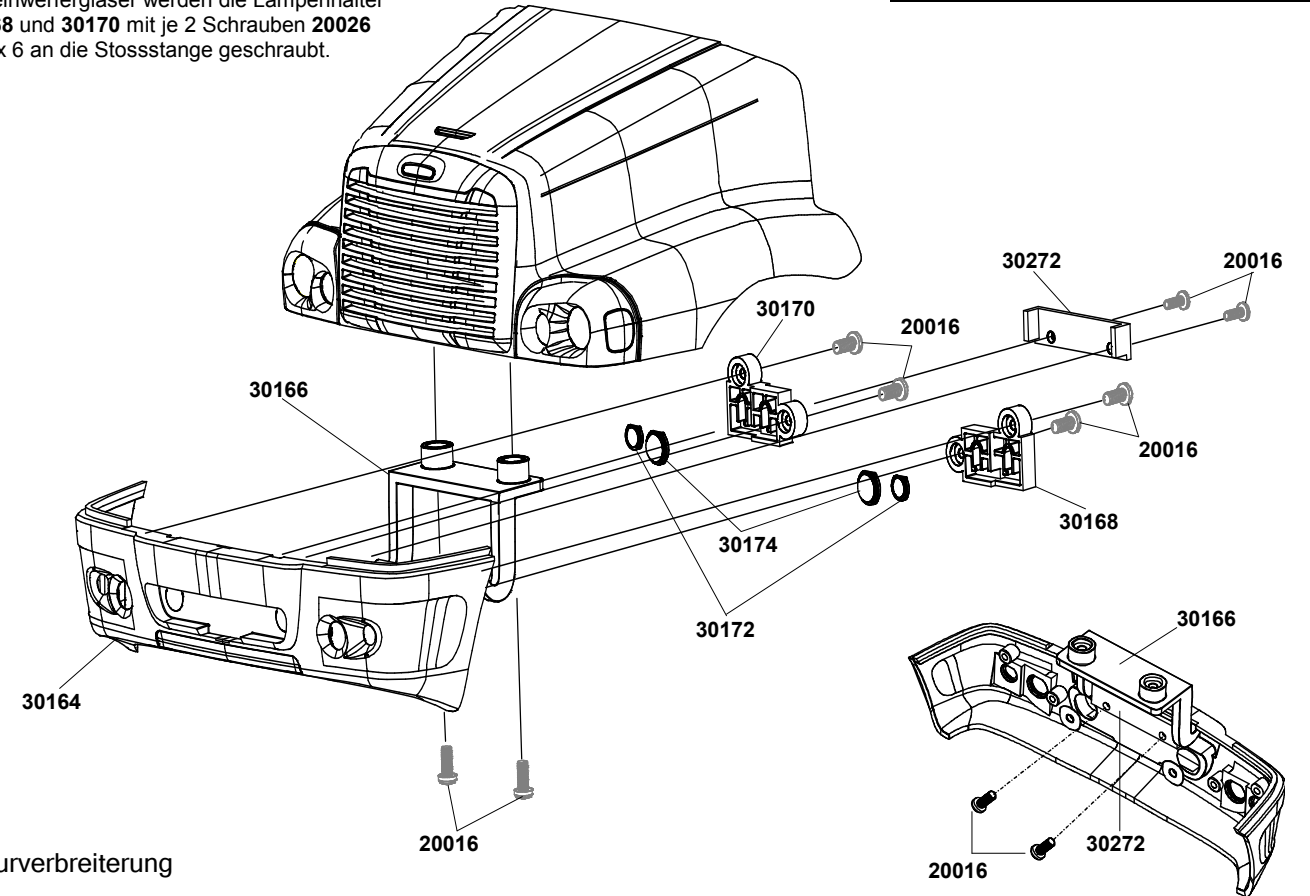


2. Zusammenbau Stossstange

Beginnen Sie mit dem Einbau der Scheinwerfergläser **30172** gross **30174** klein. Normalerweise lassen sich die Gläser einklemmen. Den eigentlichen Halt bekommen die Gläser durch die Lampenhalter. Die Gläser lassen sich auch eingekleben. Vorsicht beim Einkleben mit Kunststoffkleber. Durch die Lösungsmittel können die Gläser matt werden. Ein kleiner Tropfen aus der Heissklebepistole ist ausreichend. Mit 2 Schrauben **20016** M 3 x 6 schrauben Sie den Klappbügel **30166** unter die Motorhaube. Nachdem Einsetzen der Scheinwerfergläser werden die Lampenhalter **30168** und **30170** mit je 2 Schrauben **20026** M 3 x 6 an die Stossstange geschraubt.

Zum Schluss wird die Motorhaube mit 2 Schrauben **20016** M3 x 6 mittels Halteblech **30272** mit der Stossstange beweglich verbunden.

Baustufe 2 Stossstange		
Anz.	Nr.	Bauteil
8	20016	Schraube M 3 x 6
1	30164	Stossstange vorn
1	30166	Klappbügel Motorhaube
1	30168	Lampenhalter Stoßstange links
1	30170	Lampenhalter Stoßstange rechts
2	30172	Scheinwerferglas – Stoßstange - klein
2	30174	Scheinwerferglas – Stoßstange - gross
1	30272	Halteblech Klappbügel



Spurverbreiterung

Als optische Aufwertung liefern wir eine Spurverbreiterung für die Hinterachse mit.

Montage Spurverbreiterung

Wenn Sie Standardfelgen auf Ihrer Standardhinterachse verwenden, dann stecken Sie den Adapter **30112** auf die Achse. Die Felgen werden nach alter Anleitung wieder montiert. Die Distanzhülse **28870** schieben über die Achse in die Felge. Mit vorhandener U – Scheibe ϕ 4,2 und Sechskantschraube **27224** M 4 x 14 sichern Sie die Felgen auf der Achse.

Wenn Sie ein Kunststoffdifferential besitzen lassen Sie die Distanzhülse weg.

Bei Metalldifferentialen wird die Achse nach Aufschieben des Felgenadapters mit dem Sechskantdistanzstück **30110** verlängert. Die weitere Montage erfolgt wie gehabt.

Baustufe Spurverbreiterung		
Anz.	Nr.	Bauteil
4	27224	Sechskantschraube M4 x 14
4	28870	Distanzhülse
4	30110	Distanzbolzen M 3 x 6
4	30112	Adapter Felge für Spurverbreiterung

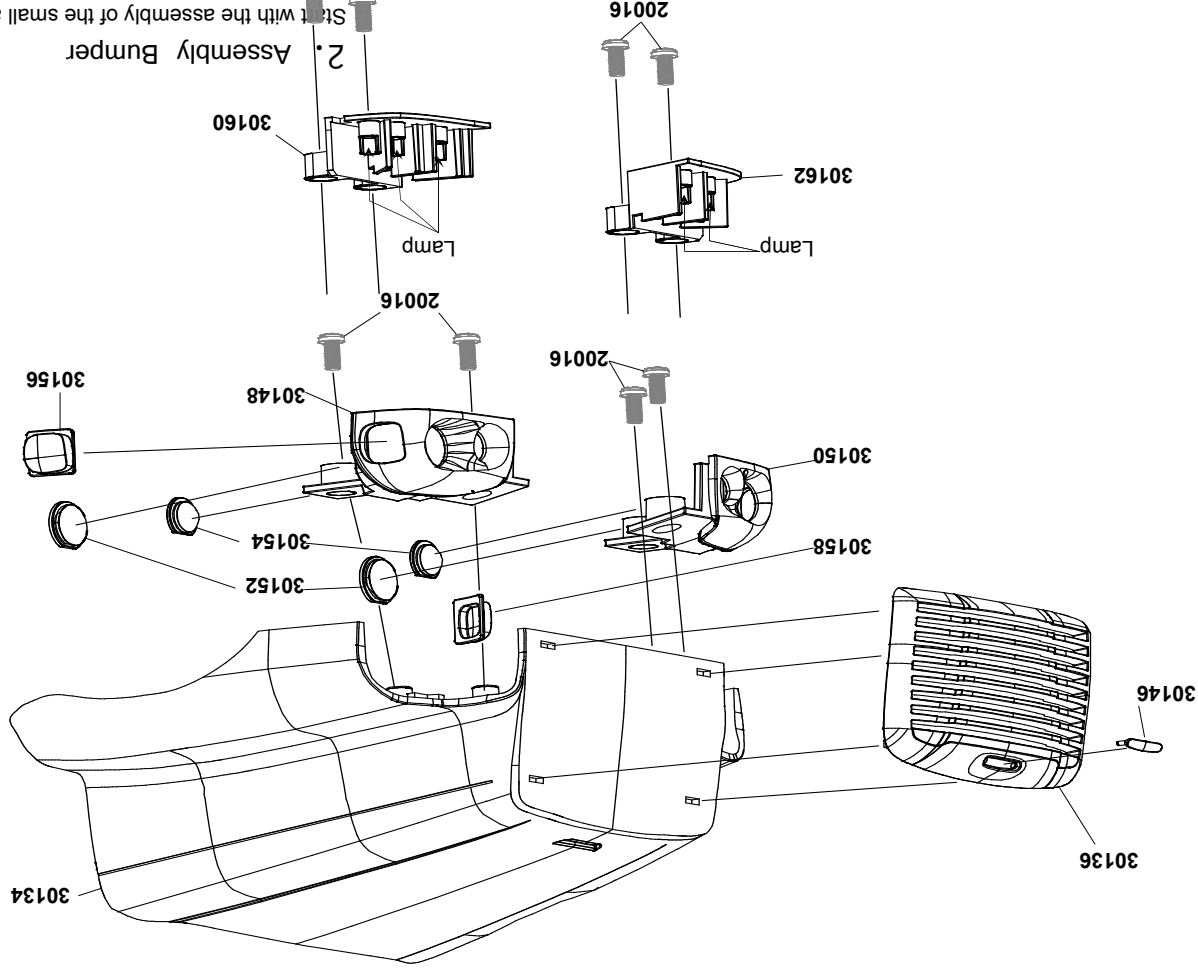
1. Assembly Hood

Assembly of an electric composition :
First insert the bulbs in the lamp supports.

The manufacturer's logo is inserted in the corresponding opening in the radiator grille. Stick the logo or fuse the overlapping pins with a hot soldering iron **ATTENTION!**
The radiator grille is now inserted in the slots of the hood. You can either stick the radiator grille or fuse it inside with a soldering iron.
Press the yellow rectangular lenses **30156** left and **30158** right into the headlight housings **30148** and **30150**. Insert the small and the big headlight lens **30152** and **30154** in the corresponding headlight housings. By means of the screws M3x6 **20016** the headlight housings are fixed to the hood.
The lamp supports, left and right, **30160** and **30162**, optionally equipped with bulbs, are also fixed under the hood by 2 screws M3x6, **20016**.

Assembly step 1 Hood

Qty.	No.	Assembly part
8	20016	Screw M 3 x 6
1	30134	Hood Freightliner
1	30136	Radiator grille Freightliner
1	30146	LOGO
1	30148	Headlight housing left
1	30150	Headlight housing right
2	30152	Headlight lens small - yellow
2	30154	Headlight lens big
1	30156	Rectangular lens left - yellow
1	30158	Rectangular lens right - yellow
1	30160	Lamp support left
1	30162	Lamp support right

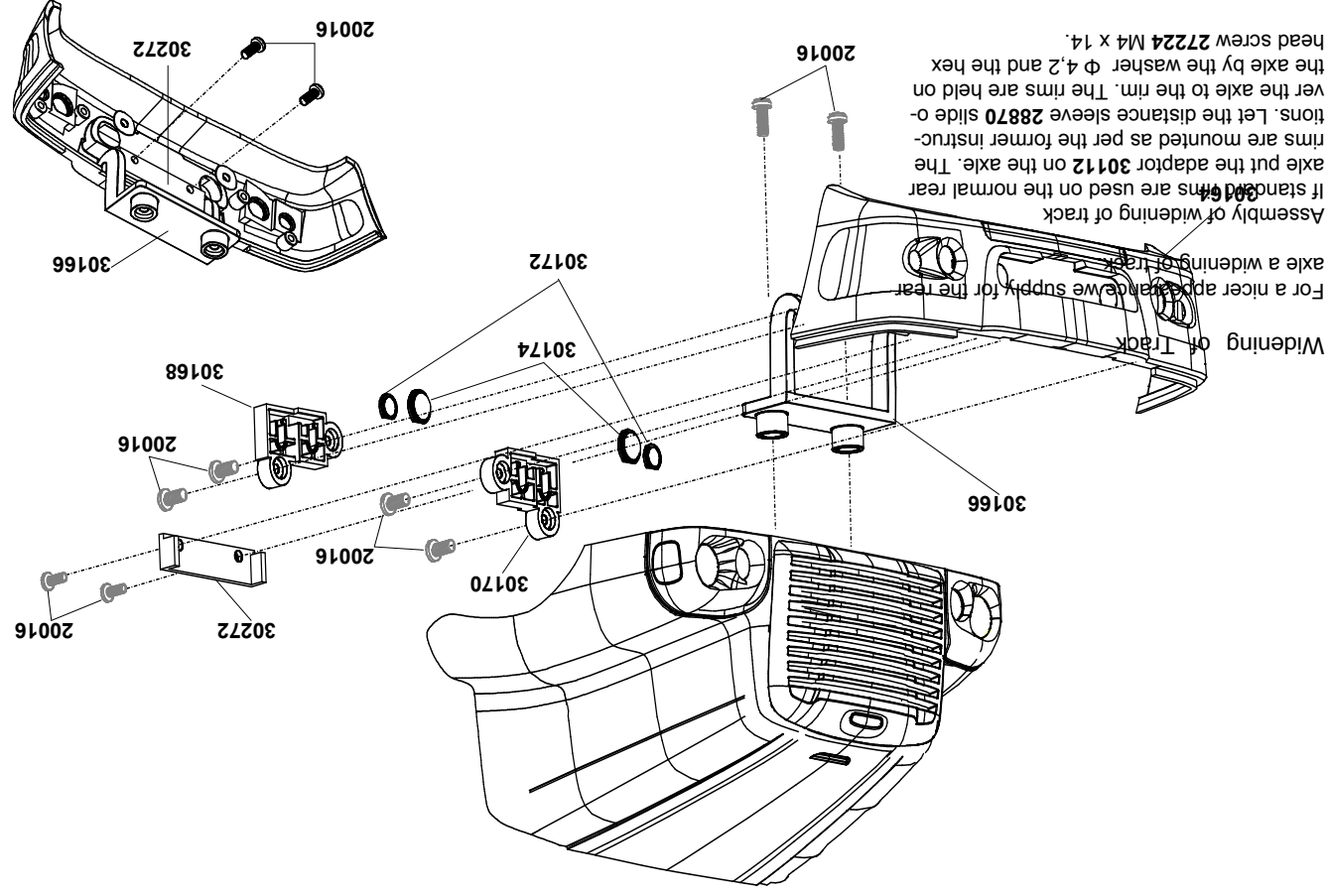


2. Assembly Bumper
Start with the assembly of the small and the big headlight lenses, **30172** and **30174**. Normally the lenses can be cramped. The right hold is given by the lamp support. Lenses can also be stuck, but **ATTENTION!** the solvents

Assembly step 2 Bumper

Qty.	No.	Assembly part
8	20016	Screw M 3 x 6
1	30164	Bumper front
1	30166	Hood hinge
1	30168	Lamp support bumper left
1	30170	Lamp support bumper right
2	30172	Headlight lens - bumper - small
2	30174	Headlight lens - bumper - big
1	30272	Support for hood hinge

contained in the adhesive may dull the lenses. A little drop from the hot melt gun will do it. Fix the hood hinge **30166** with 2 screws M3 x 6 **20016** under the hood. After fixing the headlight lenses the lamp supports **30168** and **30170** are fixed at the bumper with 2 screws M3 x 6 **20026**. Finally the hood is fixed movable with 2 screws M3 x 6 **20016** and by a retaining plate to the bumper.

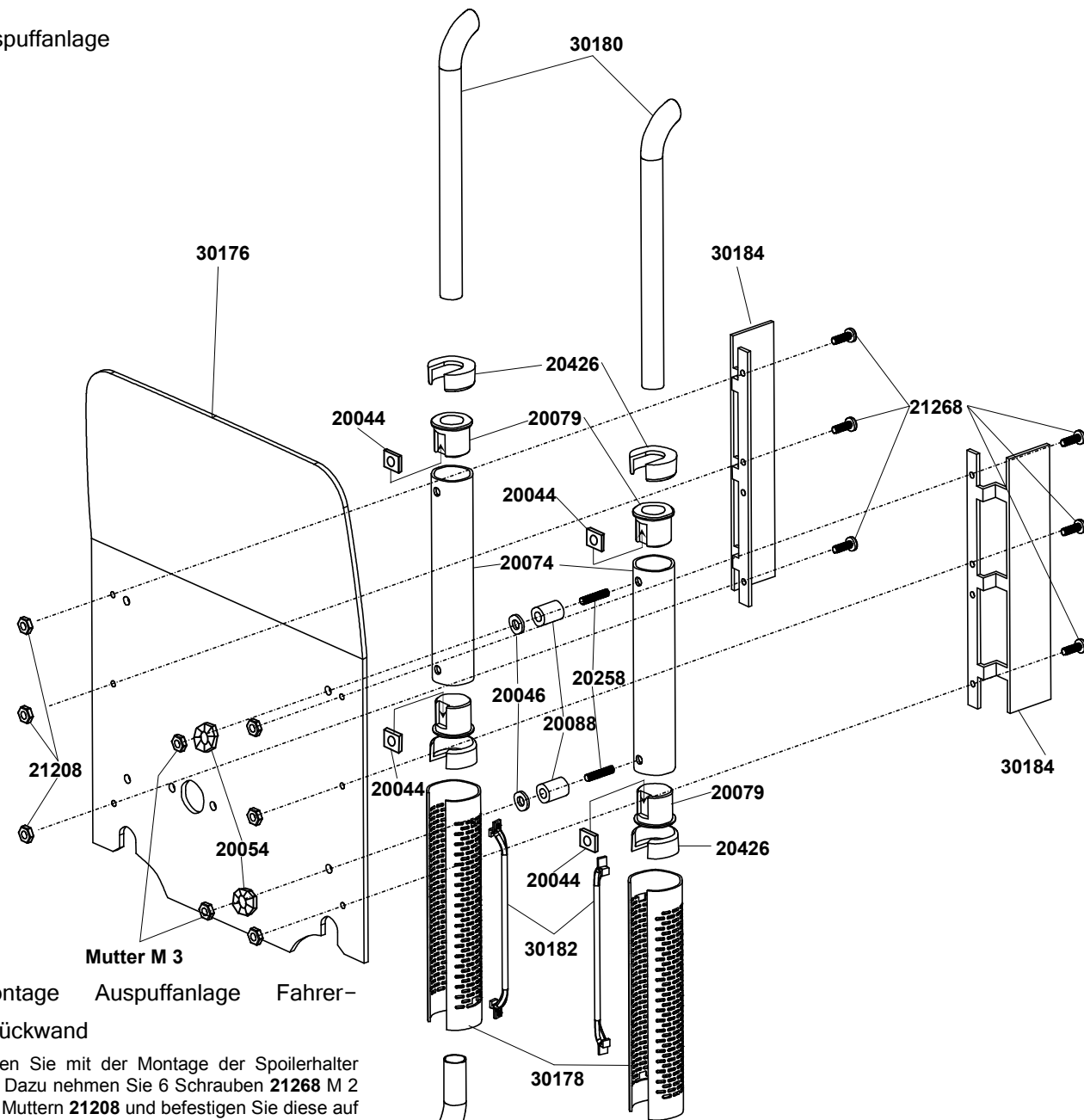


Widening of Track
For a nicer appearance we supply for the rear axle a widening of track **30166**.
If standard rims are used on the normal rear axle put the adaptor **30112** on the axle. The rims are mounted as per the former instructions. Let the distance sleeve **28870** slide over the axle to the rim. The rims are held on the axle by the washer $\Phi 4,2$ and the hex head screw **27224** M4 x 14.
If you use a differential of plastics the distance sleeve can be omitted.
For metal differentials the axle will be extended by the distance bolt **30110** after the adaptor was put on.
Further assembly is done as usual.

Assembly step Widening of track

Qty.	No.	Assembly part
4	27224	hex head screw M4 x 14
4	28870	Distance sleeve
4	30110	Distance bolt M 3 x 6
4	30112	Rim adapter for widening of track

3. Auspuffanlage



3. Montage Auspuffanlage Fahrerhausrückwand

Beginnen Sie mit der Montage der Spoilerhalter **30184**. Dazu nehmen Sie 6 Schrauben **21268** M 2 x 6 mit Muttern **21208** und befestigen Sie diese auf der Kabinenrückwand **30176**. Jetzt wird jeweils 1 Vierkantschraube **20044** M 3 in den Schlitz der Auspuffkappe **20079** gesteckt. Die beiden Kapfen schieben wir jetzt so in den Auspufftopf **20074** dass das Gewinde direkt hinter einer Bohrung liegt. Je eine Stiftschraube **20258** - M 3 x 16 wird soweit in das Gewinde geführt, dass das Auspuffendrohr **30180** und der Auspuffkrümmer **21202** gerade geklemmt werden. Die kurze Seite des Krümmers kommt in Auspuff. Nach dem Ausrichten von Auspuff und Krümmer ziehen Sie die Stiftschrauben mit einem Schlitzschraubendreher fest. Von der Auspuffblende **30178** ziehen wir die Schutzfolie ab und setzen die Haltegriffe **30182** ein.

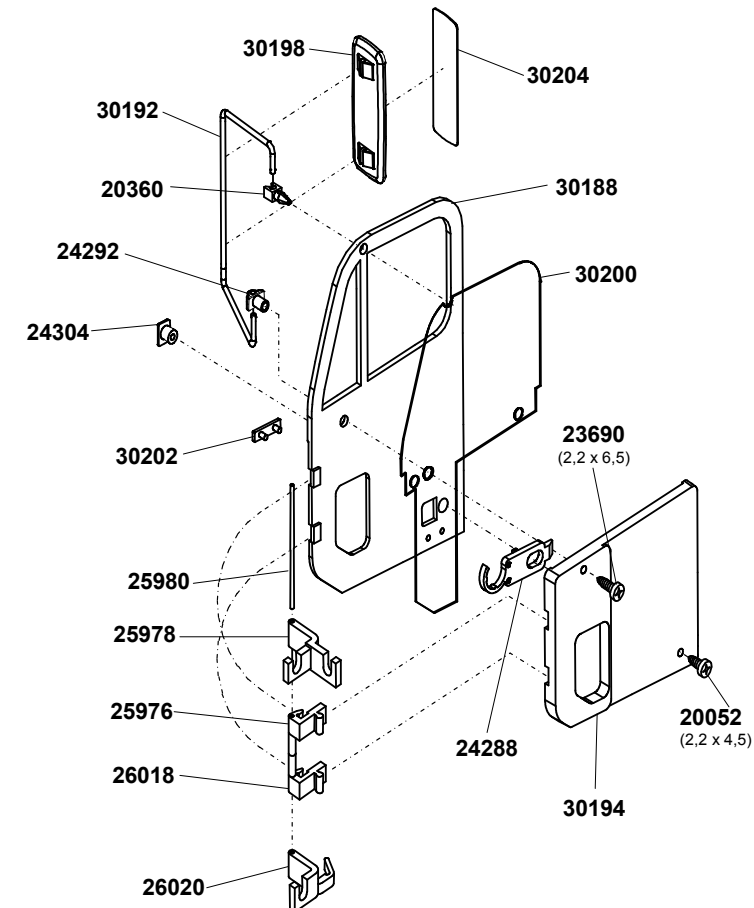
Die Blende schieben wir über den Auspufftopf und stabilisieren den Sitz mittels Befestigungskapfen **20426**. Danach wird auf die Stiftschrauben jeweils eine Hülse **20088** und eine U-Scheibe **20046** ϕ 3,2 geschoben. Der kompl. Auspuff wird auf der Fahrerhausrückwand mit einer Fächerscheibe **20054** und Mutter M 3 befestigt.

4. Fahrerhaustüren

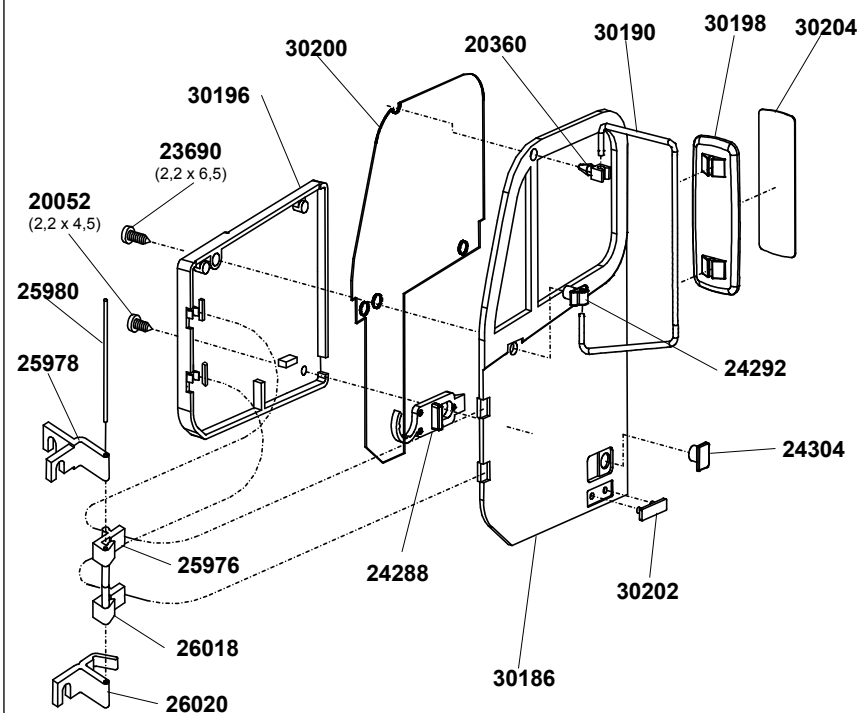
Baustufe 3 Auspuffanlage Fahrerhausrückwand

Anz.	Nr.	Bauteil
4	20040	Mutter M3
4	20044	Vierkantschraube M3
4	20046	U - Scheibe ϕ 3,2
4	20054	Fächerscheibe ϕ 3,2
2	20074	Auspufftopf
4	20079	Auspuffkappe
4	20088	Hülse
4	20258	Stiftschraube M3 x 16
4	20426	Befestigungskapfen
2	21202	Auspuffkrümmer
6	21208	Mutter M2
6	21268	Schraube M2 x 6
1	30176	Rückwand Fahrerhaus, Freightliner
2	30178	Auspuffblende verchromt
2	30180	Auspuffendrohr
2	30182	Haltegriff
2	30184	Spoilerhalter

Beifahrertür



Fahrertür



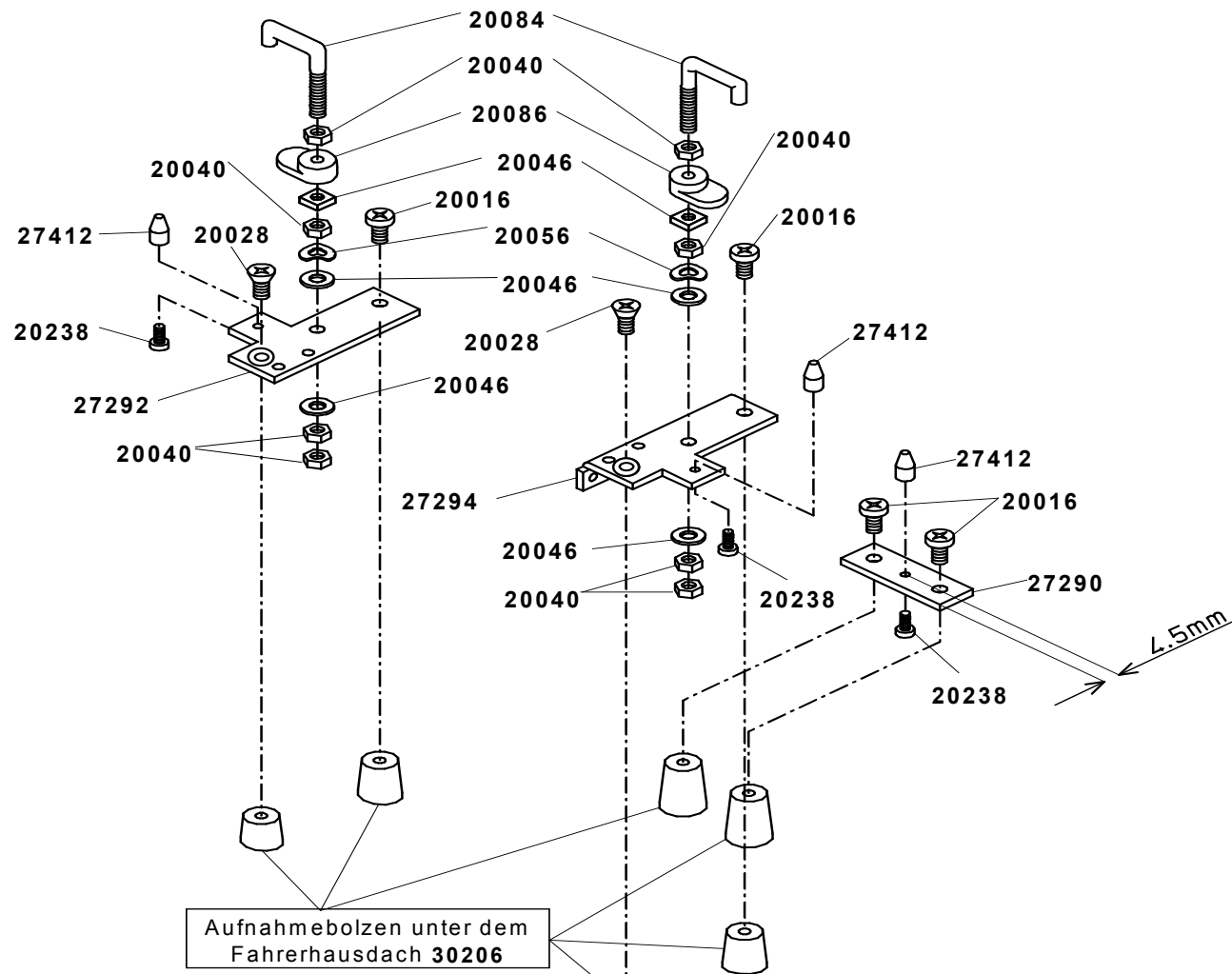
4. Montage der Fahrerhaustüren

Beginnen Sie mit dem Zusammenbau der Türscharniere. Beachten Sie dabei die unterschiedliche Reihenfolge der rechten und linken Tür. Drücken Sie die Stifte **25980** in die Bohrungen der Türscharniere **26020** und **25978**. Jeweils 1 Türscharnier 1 und 2 (**25976** + **26018**) liegen beweglich dazwischen. Drücken Sie dann die Klemmvorrichtung der Türscharniere **25976** und **26018** in die Aussparung des Türblattes. Je eine untere und obere Spiegelhalterung **24292** und **20360** setzen Sie in das Türblatt ein. Nach Entfernen der beidseitigen Folie legen Sie eine Seitenscheibe **30200** auf das innere Türblatt. Die Riegelführung **24304** drücken Sie von aussen in das Türblatt. Der Türriegel **24288** wird so auf das Türblatt gelegt, dass der Schieber durch das Blatt ragt. Die Türinnenverkleidung **30196** (Fahrertür) oder **30194** wird so auf das Türblatt gelegt, dass die Bohrungen direkt über der Riegelführung und über dem Spiegelhalter unten liegen. Drücken Sie jetzt die Klipse der Türscharniere in die Innenverkleidung. Eine Blechschraube **23690** ϕ 2,2 x 6,5mm wird in die untere Spiegelhalterung und eine Blechschraube **20052** ϕ 2,2 x 4,5mm in die Riegelführung geschraubt. Die Spiegelplatte **30204** wird in die Spiegelaufnahme **30198** geklebt. Je ein Haltebügel **30190** (links) oder **30192** (rechts) wird in die Halter **20360** (oben) und **24292** (unten) eingeschoben. Montieren Sie zuerst von unten, in den unteren Halter und dann oben seitlich in den oberen Halter. Jetzt kann der Spiegelhalter auf den Haltebügel gedrückt werden. Die beiden Türlogo's **30202** drücken Sie in die entsprechenden Bohrungen.

Baustufe 4 Fahrerhaustüren

Anz.	Nr.	Bauteil
2	20052	Blechschraube ϕ 2,2 x 4,5
2	20360	Clips (Spiegelhalter oben)
2	23690	Blechschraube ϕ 2,2 x 6,5
2	24288	Türriegel
2	24292	Spiegelhalter unten
2	24304	Riegelführung Tür
2	25976	Türscharnier 1 (Peterbilt)
2	25978	Türscharnier oben (Peterbilt)
2	25980	Stift Türscharnier 36mm
2	26018	Türscharnier 2 (Peterbilt)
2	26020	Türscharnier unten (Peterbilt)
1	30186	Türblatt links, Fahrerhaus
1	30188	Türblatt rechts, Beifahrertür
1	30190	Haltebügel Spiegel links
1	30192	Haltebügel Spiegel rechts
1	30194	Türverkleidung rechts
1	30196	Türverkleidung links
2	30198	Spiegelaufnahme
2	30200	Türscheibe
2	30202	Türlogo
2	30204	Spiegelplatte

5. Fahrerhausdach



5.1 Montage Verriegelung

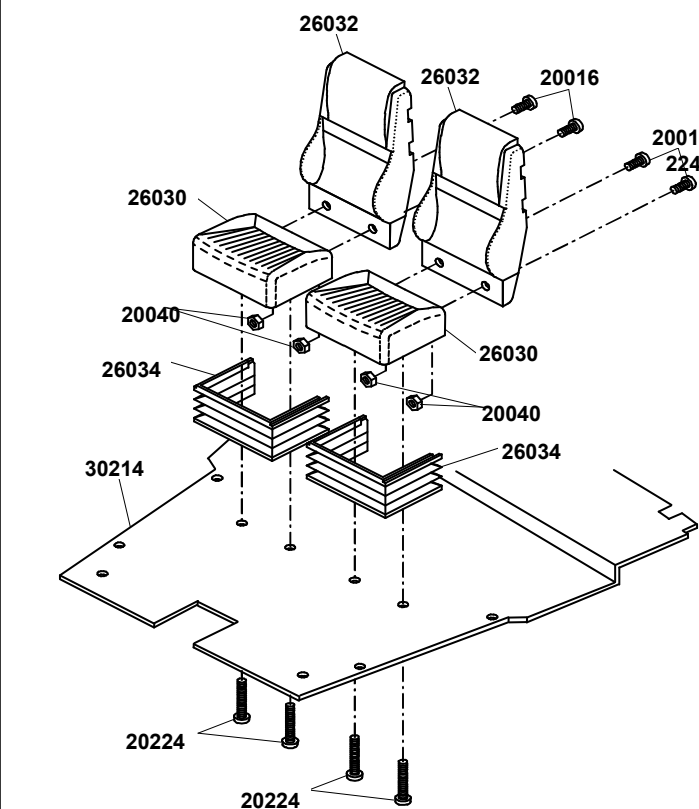
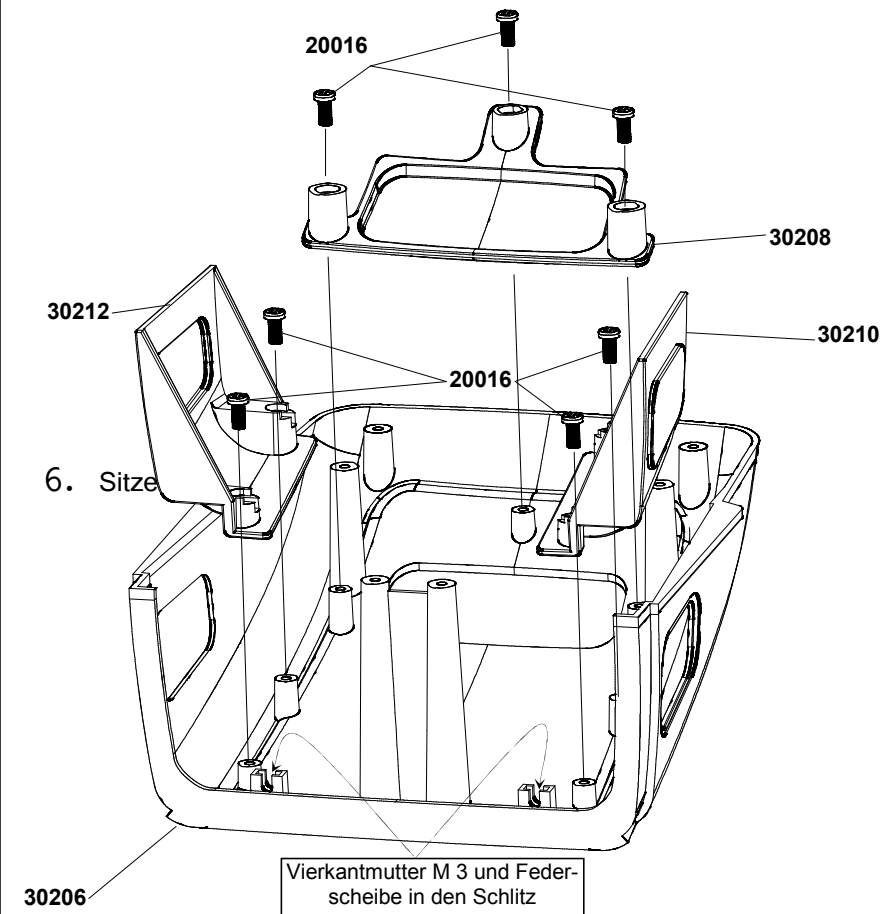
Das Dach wird nicht fest mit dem oberen Teil der Rückwand sondern leicht lösbar verbunden. Zur Verriegelung des Daches greifen zwei Türschlösser 20086 hinter die dafür angebrachten Bleche an den Seitenteilen.

Versehen Sie einen Türgriff 20084 mit einer Mutter M 3 und ziehen diese fest an. Dann das Türschloß 20086 aufschieben. Die Öffnung zur Aufnahme einer Vierkantmutter 21690 M 3 zeigt nach unten. Türgriff und Türschloß müssen so ausgerichtet werden, dass sie parallel stehen. Dann noch eine Mutter M 3 aufschrauben. Eventuell sollten Sie das Türschloß mit einer Zange festhalten wenn Sie es mit der Mutter M 3 kontorn. Nach dem Aufsetzen einer Federscheibe 20056 A 3,2 und einer U-Scheibe 20046 ϕ 3,2 wird der Griff durch das vorgezeichnete Loch

im linken Dachverriegelungsblech 27992 geschoben. Von hinten eine U-Scheibe 20046 ϕ 3,2 aufsetzen und das ganze mit zwei Muttern M 3 sichern. Das rechte Dachverriegelungsblech 27294 wird auf die gleiche Weise mit einem Türgriff versehen. An beiden Dachverriegelungsblechen bringen Sie jetzt jeweils einen Führungszapfen an. Dies geschieht mit Hilfe von je einem Bolzen 27412 und einer Schraube 20238 - M 2 x 5. Montieren Sie auf gleiche Weise einen Führungszapfen an das Führungsblech 27290. Die Bohrung dafür liegt nicht mittig. Achten Sie beim Anbringen auf die korrekte Seite (Maß 4,5 in der Darstellung)! Das Führungsblech 27290 wird mit zwei Schrauben 20238 M 2 x 5 unter dem Dach befestigt.

5.2 Fenster

Baustufe 5.1 Verriegelung		
Anz.	Nr.	Bauteil
4	20016	Schraube M3 x 6
2	20028	Senkkopfschraube M3 x 6
8	20040	Mutter M3
4	20044	Vierkantmutter M3
4	20046	U-Scheibe ϕ 3,2
2	20056	Federscheibe A 3,2
2	20084	Türgriff
2	20086	Türschloß
3	20238	Schraube M2 x 5
1	27292	Dachverriegelungsblech links
1	27294	Dachverriegelungsblech rechts
1	27290	Führungsblech für Dach



Baustufe 5.2 Fenster		
Anz.	Nr.	Bauteil
7	20016	Schraube M 3 x 6
2	20044	Vierkantmutter M 3
7	20046	U-Scheibe ϕ 3,2
2	20056	Federscheibe A 3,2
2	30122	Sechskantschraube M 3x12
1	30206	Fahrerhausdach
1	30208	Dachfenster oben
1	30210	Dachfenster links
1	30212	Dachfenster rechts

Montage Fenster

Die beiden Dachfenster 30210 links und 30212 rechts befestigen Sie jeweils mit einer Schraube 20016 M 3 x 6 und einer U - Scheibe 20046 ϕ 3,2 im Fahrerhausdach 30206.

Bevor Sie das Dachfenster 30208 befestigen muss zuerst die Kabinenrückwand 30176 an das Fahrerhausdach geklemmt werden. Dazu schieben Sie eine Federscheibe 20056 ϕ 3,2 auf eine Sechskantschraube 30112 M 3 x 12 und schrauben diese in eine Vierkantmutter 20044 M 3. Alles zusammen schieben Sie in einen Schlitz an der Kabinendecke. Die vormontierte Kabinenrückwand 30176 stecken Sie in die Führung des Kabinendaches 30206. Mit einem langen Steckschlüssel (5,5mm) ziehen Sie die Sechskantschrauben, durch das Dachfenster, gegen die Rückwand. Mit einem Ringschlüssel 5,5mm kann jetzt die Kabinenrückwand richtig fest gezogen werden. Danach wird das obere Dachfenster

Baustufe 6 Sitze		
Anz.	Nr.	Bauteil
4	20016	Schraube M 3 x 6
4	20040	Mutter M 3
4	20224	Schraube M 3 x 20
2	26030	Schwingsitz, Sitzteil
2	26032	Schwingsitz, Rückenteil
2	26034	Schwingsitz, Bodenteil
1	30214	Bodenplatte Freightliner

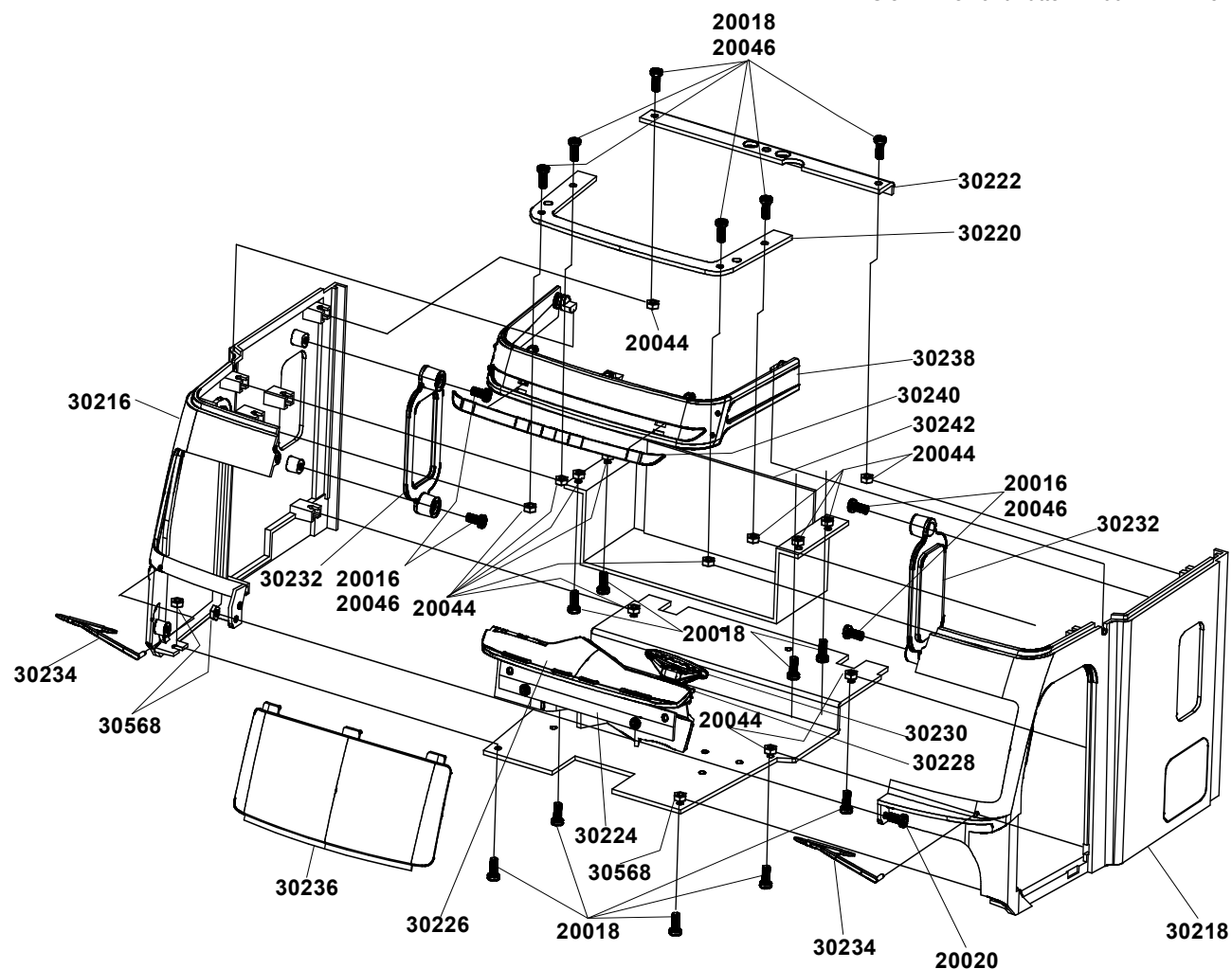
30208 mit 3 Schrauben 20026 M 3 x 6 und je einer U - Scheibe 20046 ϕ 3,2 befestigt.

Montage Sitze

Je ein Rückenteil 26032 und je eine Sitzplatte 26030 werden mit 2 Schrauben 20016 M 3 x 6 -und 2 Muttern M 3 verschraubt. Das Bodenteil 26034 des Sitzes wird mit seinen Führungsleisten unter die Sitzplatte geklemmt. Mit 2 langen Schrauben 20224 - M 3 x 20 werden die Sitze auf die Bodenplatte 30214 geschraubt.

7. Fahrerhaus

Beide Teile werden jetzt in das Fahrerhaus eingebracht und verschraubt. Dazu setzen Sie 4 Vierkantmutter **20044** – M 3 in die



7. Montage Fahrerhauses

Fügen Sie die beiden Seitenteile **30216** rechts und **30218** links zusammen. Verschrauben und sichern diese mit einer Schraube **20020** – M 3 x 10 und einer Stopmutter **30568**.

In die hinteren oberen Befestigungsschlitze, der Seitenteile, schieben Sie je eine Vierkantmutter **20044** – M 3. Mit zwei Schrauben **20018** – M 3 x 8 und je einer U - Scheibe **20046** - ϕ 3,2 befestigen Sie das hintere Halteprofil **30222**. Achten Sie bei der Montage darauf, dass der Haltewinkel press zwischen den Seitenwänden liegt!

Jetzt werden die vormontierte Fahrer und Beifahrertür eingesetzt. Dazu nehmen Sie je zwei Schrauben **20016** - M 3 x 6 und je 2 U - Scheiben **20046** - und verschrauben die Türen am Fahrerhaus.

Als nächstes setzen Sie die Frontscheibe **30236** ein.

Das Halblech des Armaturenbrettes **30224** wird mit 2 Schrauben **20018** - M 3 x 8, 2 U - Scheiben **22900** - ϕ 3,2 gross und Vierkantmutter **20044** an den Türscharnieren von hinten befestigt. Dabei beachten Sie die genaue Lage des Bleches d. h. die beiden inneren Bohrungen liegen unten und die Abkantung zeigt nach innen.

Der Schalterkasten (siehe Skizze) **30228** wird auf das Armaturenbrett **30226** mit einer Schraube **20016** – M3 x 6 geschraubt. Das Lenkrad **30230** wird mit etwas Klebstoff befestigt. Die ganze Einheit befestigen Sie jetzt mit 2 Schrauben **20016** – M 3 x 6 am Halblech Armaturenbrett.

Die beiden Kabinenfenster **30232** werden ebenfalls in die Seitenwände montiert. Dazu nehmen Sie 2 Schrauben **20016** – M 3 x 6 und 2 U - Scheiben ϕ 3,2.

Das Glas für die Sonnenblende **30240** drücken Sie jetzt in die Sonnenblende **30238**.

Die Sonnenblende legen Sie auf das Fahrerhaus. Vier Vierkantmutter schieben Sie in die vorderen Schlitze des Fahrerhauses. Das vordere Halteprofil **30220** legen Sie jetzt auf die Vierkantmutteraufnahmen und befestigen es mit 4 Schrauben **20018** – M 3 x 8 und vier U - Scheiben ϕ 3,2.

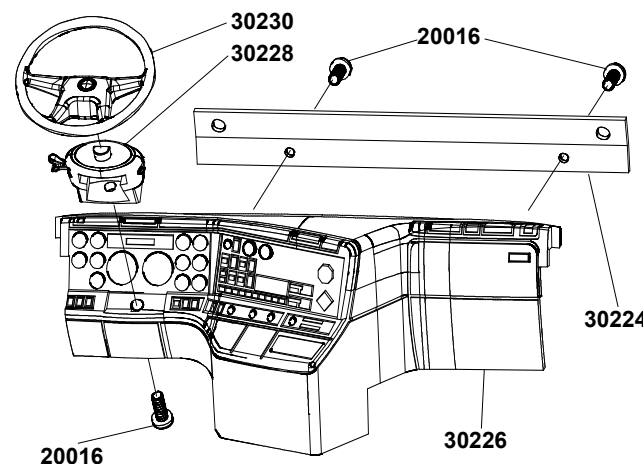
Wenn Sie eine E - Anlage zusätzlich einbauen möchten, dann ist es erforderlich die Schalterplatine und den Akku in die Sitzrückwand bzw. in die Akkubox **30242** einzusetzen.

Schlitze der Fahrerhaus Innenwände ein .Mit 4 Schrauben **20018** – M 3 x 8 werden beide Teile gehalten.

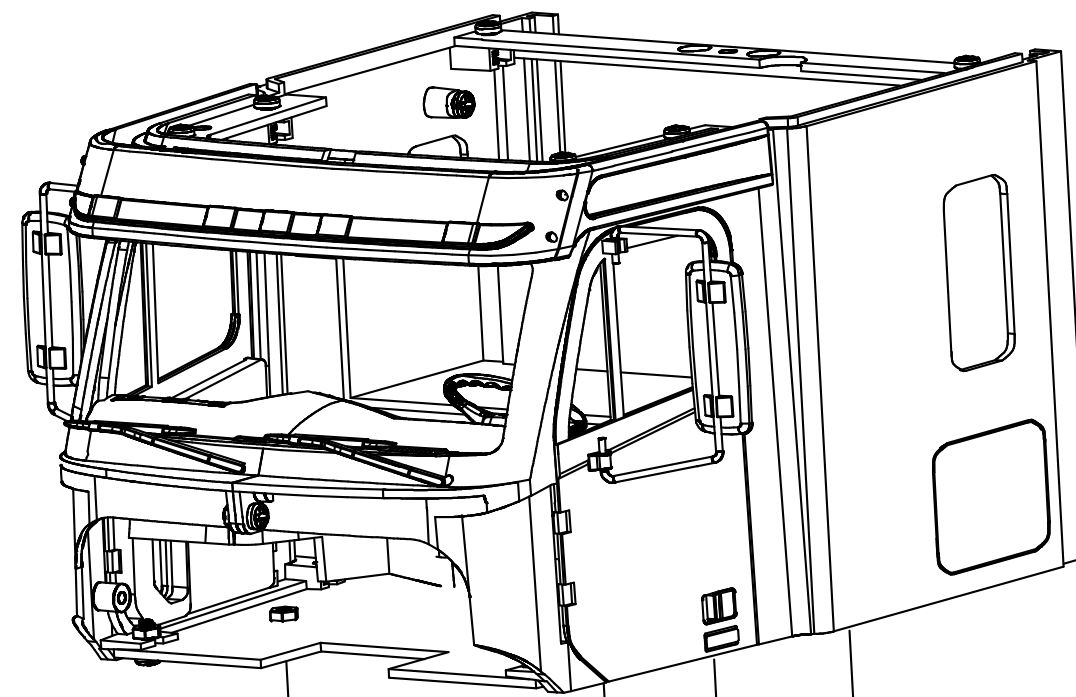
Jetzt wird das Fahrerhaus mit der Bodenplatte verschraubt. Dazu nehmen Sie 4 Vierkantmutter **20044** – M 3 und schieben diese in die Schlitze im unteren Bereich der Kabine. Vorsichtig führen Sie je eine Schraube **20018** – M 3 x 8 darunter eine U - Scheibe ϕ 3,2 durch die Bodenplatte und ziehen diese fest Im vorderen Bereich wird mit je einer Schraube **20018** – M 3 x 8 darunter eine U - Scheibe ϕ 3,2 und einer Stopmutter **30568** Fahrerhaus und Bodenplatte zusammen gehalten.

Zuletzt setzen die beiden Scheibenwischer **30234** noch ein. Ein kleiner Tropfen Klebstoff hält den Wischer in der richtigen Position.

7.1 Montage Armaturenbrett



Fahrerhaus nach Montage

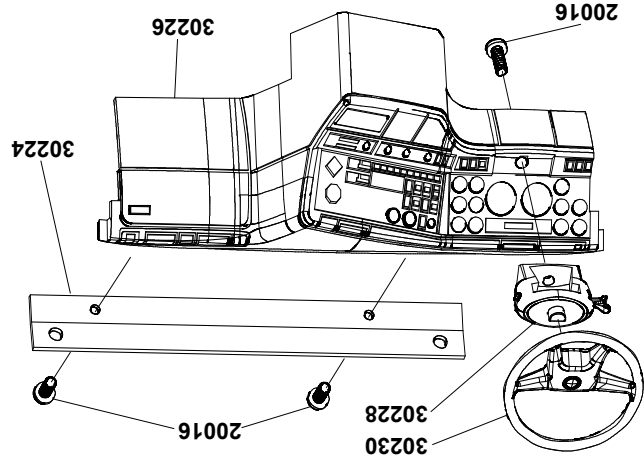


Baustufe 7 Fahrerhaus		
Anz.	Nr.	Bauteile
11	20016	Schraube M 3 x 6
21	20018	Schraube M 3 x 8
1	20020	Schraube M 3 x 10
16	20044	Vierkantmutter M 3
20	20046	U- Scheibe ϕ 3,2
1	21962	Sitzrückwand
2	22900	U- Scheibe ϕ 3,2 gross
1	30216	Seitenteil rechts
1	30218	Seitenteil links
1	30220	Halteprofil vorne
1	30222	Halteprofil hinten
1	30224	Halblech Armaturenbrett
1	30226	Armaturenbrett
1	30228	Schalterkasten
1	30230	Lenkrad
2	30232	Kabinenfenster
2	30234	Scheibenwischer
1	30236	Frontscheibe
1	30238	Sonnenblende
1	30240	Glas für Sonnenblende
1	30242	Akkubox
3	30568	Sechskantmutter M 3 Selbssichernd (Stoppmutter)

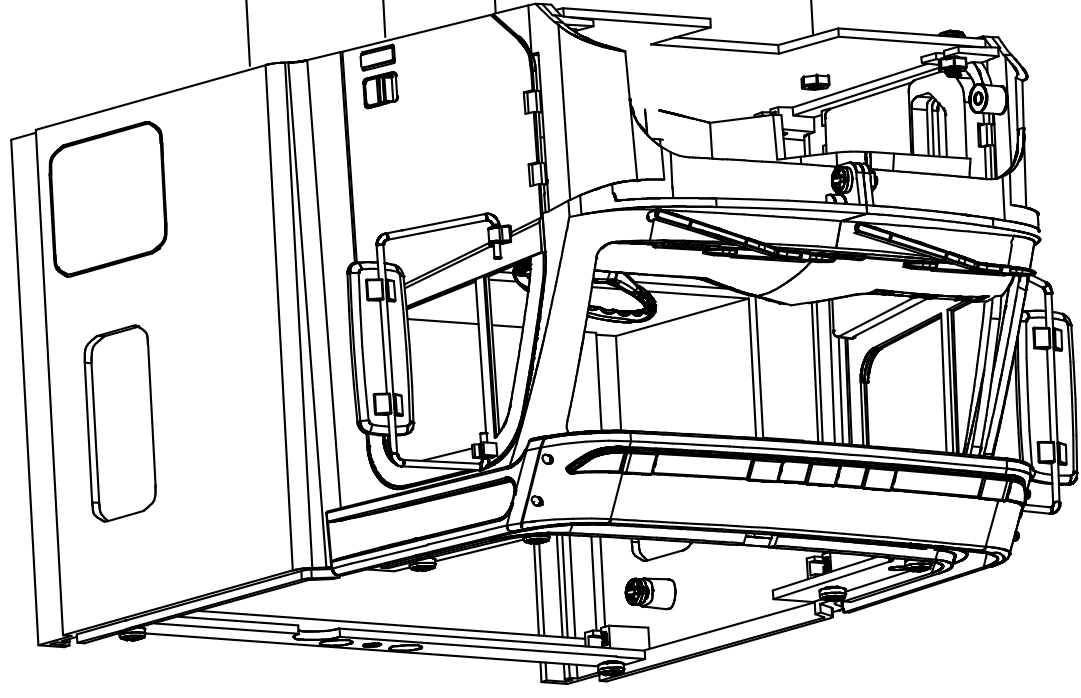
Assembly step 7 Driver's cab

Qt.	No.	Assembly part
7	20016	Screw M 3 x 6
16	20018	Screw M 3 x 8
1	20020	Screw M 3 x 10
16	20044	Square nut M 3
20	20046	Washer ϕ 3,2
1	21962	Seat mounting panel
1	22900	Washer ϕ 3,2 big
1	30216	Side body right
1	30218	Side body left
1	30220	Connection plate front
1	30222	Connection plate rear
1	30224	Dashboard connection plate
1	30226	Dashboard
1	30228	Gear shifter
1	30230	Steering wheel
2	30232	Lower window
1	30234	Windscreen wiper
1	30236	Windscreen
1	30238	Sunvisor
1	30240	Sunvisor lens
1	30242	Battery box
3	30568	Hex head nut M 3 (Stop nut)

7. 1 Assembly Dashboard

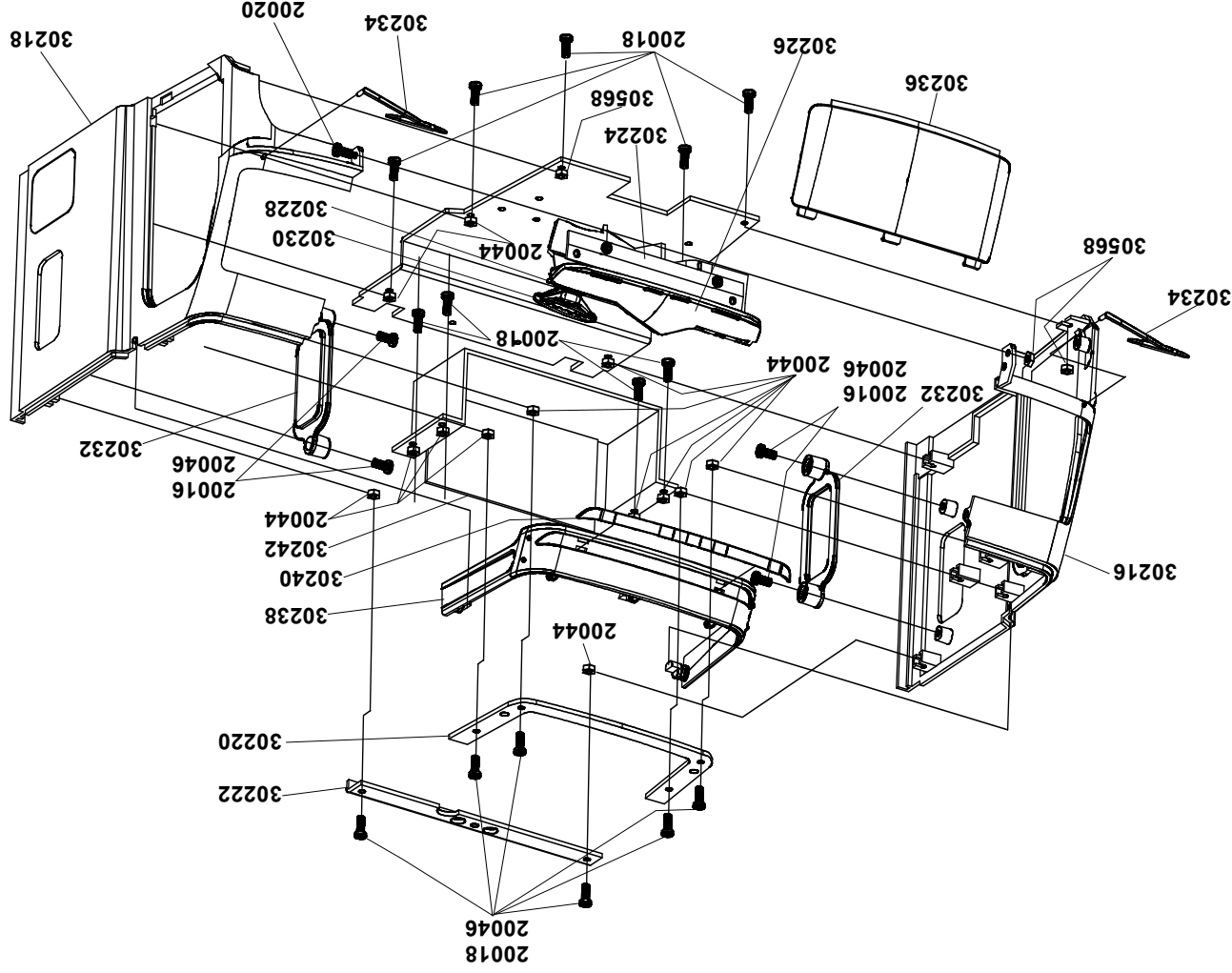


Driver's cab compl.



7. Driver's cab

In the front part the driver's cab and the bot-



7. Assembly driver's cab

Put the side bodies, left 30218 and right 30216, together and tighten with a screw 20020, together and tighten with a screw 20018 M 3 x 10 and a stop nut 30568. Put one square nut each 20044 M 3 into the upper fixing slots of the side bodies. Fix the rear connection plate 30222 with 2 screws 20018 M 3 x 8 and one washer 20046 ϕ 3,2 each. Pay attention that it fits exactly between the side bodies!

Now the pre-assembled driver's cab doors are mounted. Take 2 screws 20016 M 3 x 6 and 2 washers 20046 and screw the doors with the driver's cab.

Next the wind screen 30236 is fitted in. The dashboard connection plate 30224 is from the 20044 M 3 are put into the slots of the inside bodies of the driver's cab. Both parts are held by 4 screws 20018 M 3 x 8.

Now the driver's cab is fixed at the bottom plate with 4 square nuts 20044 M 3 which are pushed into the slots at the lower side of the bevel goes inside.

The gear shifter (see the plan) 30228 is fixed to the dashboard 30226 with a screw 20016 M 3 x 6. The steering wheel 30230 is fixed with glue.

The complete unit is attached to the dashboard connection plate with 2 screws 20016 M 3 x 6.

The two lower windows 30232 are also attached to the side bodies with 2 screws 20016 M 3 x 6 and 2 washers 20046 ϕ 3,2. The sunvisor 30238, Put the sun visor on the driver's side and put 4 square screws into the front plate 30220 is now put on the of the square nuts and fixed with 4 screws 20018 M 3 x 8 and 4 washers ϕ 3,2.

If you want to assemble additionally an electrical system, it is necessary to insert the switch panel and the battery into the back of the seat, respectively into the battery box 30242. Both parts are now put into the driver's cab and tightened. For that the 4 square nuts 20044 M 3 are put into the slots of the inside bodies of the driver's cab. Both parts are held by 4 screws 20018 M 3 x 8.

Now the driver's cab is fixed at the bottom plate with 4 square nuts 20044 M 3 which are pushed into the slots at the lower side of the bevel goes inside.

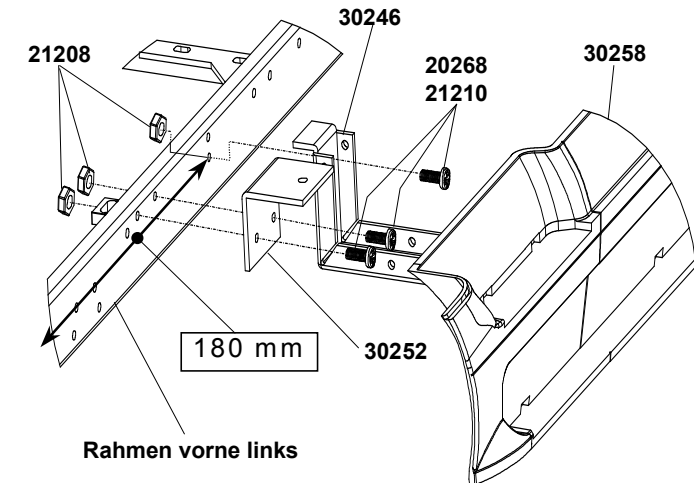
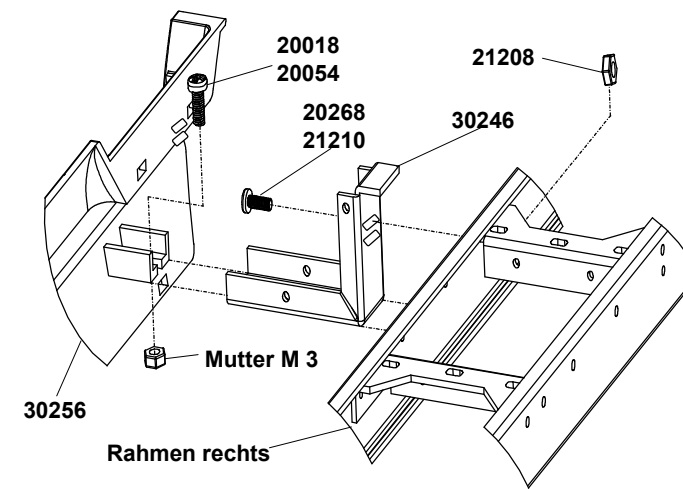
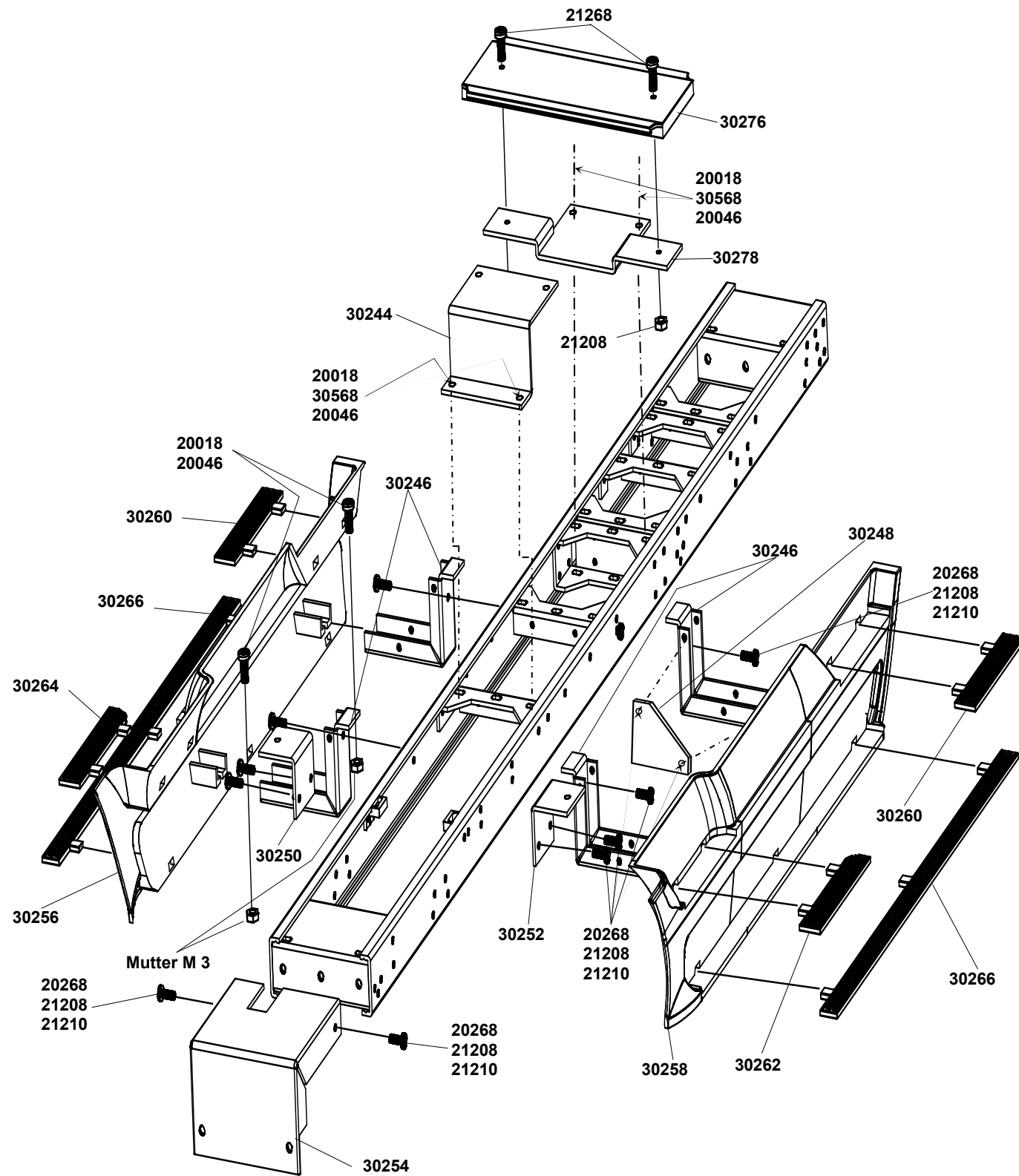
The gear shifter (see the plan) 30228 is fixed to the dashboard 30226 with a screw 20016 M 3 x 6. The steering wheel 30230 is fixed with glue.

The complete unit is attached to the dashboard connection plate with 2 screws 20016 M 3 x 6.

tom plate are fixed with one screw 20018 M 3 x 8 and one washer ϕ 3,2 each and with a stop nut M 3 30568.

Finally the two windscreen wipers 30234 are put on. A little drop of glue will keep them in the right position.

8. Fahrgestell Ergänzungen



Baustufe 8 Ergänzung Rahmen		
Anz.	Nr.	Bauteil
8	20018	Schraube M 3 x 8
4	20040	Mutter M 3
8	20046	U - Scheibe ϕ 3,2
4	20054	Fächerscheibe A ϕ 3,2
28	20268	Schraube M 2 x 8
30	21208	Mutter M 2
28	21210	U - Scheibe ϕ 2,2
2	21268	Schraube M 2 x 6
1	30244	Halter Fahrerhaus hinten
4	30246	Halteprofil. Seitenblende
8	30248	Verstärkungsecken
1	30250	Halter Fahrerhaus vorn rechts
1	30252	Halter Fahrerhaus vorn links
1	30254	Stossstangenaufnahme
2	30256	Seitenteil rechts
2	30258	Seitenteil links
2	30260	Trittbloch klein hinten
1	30262	Trittbloch vorn links
1	30264	Trittbloch vorn rechts
1	30266	Trittbloch
1	30276	Trittbloch hinten
1	30278	Halter Trittbloch hinten
4	30568	Sechskantmutter M3 selbstsichernd (Stopmmutter)

8.1 Seitenteile

8.2 Montage

Beginnen Sie mit der Montage der Ergänzungsteile von hinten nach vorne. Das Trittbloch 30276 befestigen Sie mit 2 Schrauben 21268 - M 2 x 6 und 2 Muttern 21208 - M 2 auf dem Halter 30242.

Mit 2 Schrauben 20018 M 3 x 8, 2 x U - Scheibe ϕ 3,2 und 2 Stopmmuttern 30568 - M 3 wird der Halter 30242, für das Trittbrett, auf die Traverse 2 vor der ersten Hinterachse geschraubt.

Der Halter für das Fahrerhaus hinten wird mit 2 Schrauben 20018 - M 3 x 8, 2 x U - Scheibe 20046 ϕ 3,2 und 2 Stopmmuttern 30568 M 3 auf der ersten Traverse befestigt.

Als nächstes werden die 8 Verstärkungsecken 30248 mit jeweils 2 Schrauben 20018 - M 2 x 8, U - Scheibe 21210 ϕ 2,2 und Mutter 21208 - M 2 rechts und links an die Halteprofile geschraubt. Die 4 Halteprofile 30246 für die Seitenblenden werden mit je einer Schraube 20268 - M 2 x 8, U - Scheibe 21210 ϕ 2,2 und Mutter 21208 - M 2 montiert. Je ein Halter sitzt vor der ersten Traverse (180mm von vorne gemessen). Die Schraube wird durch den 2'ten Schlitz im

Halter und durch die zweite Bohrung, jeweils von oben gesehen, geschoben und dann mit Scheibe und Mutter versehen

Die beiden anderen Halter sitzen hinten vor dem Trittbrett. Eine Schraube 20268 - M 2 x 8 mit U - Scheibe 21210 ϕ 2,2 wird durch den oberen Schlitz des Halters in die Bohrung des Rahmens geschoben und mit Mutter 21208 - M 2 verschraubt. Ziehen Sie die Schrauben der Halter noch nicht fest. Evtl. muss nach der Montage der Motorhaube die Pos. der Seitenteilblenden korrigiert werden.

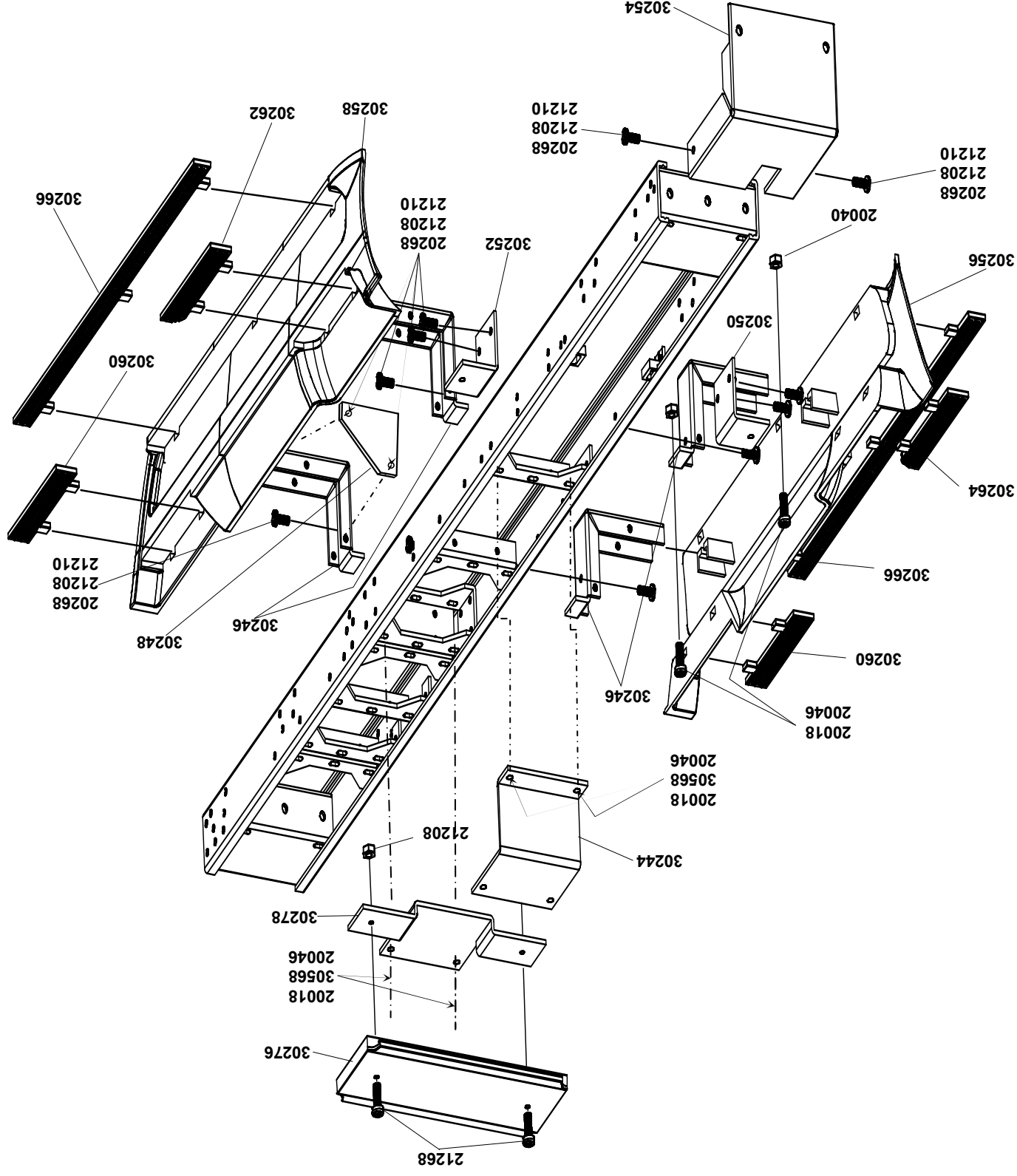
Die beiden Halter für das Fahrerhaus vorn 30250 rechts und 30252 links werden ebenfalls mit je 2 Schrauben 20268 - M 2 x 8, U - Scheibe 21210 ϕ 2,2 und Mutter 21208 - M 2 am Rahmen befestigt. Achten Sie bei der Montage darauf, dass die oberen Flächen parallel zum Rahmen verlaufen.

Die Stossstangenaufnahme 30254 wird wiederum mit 2 Schrauben 20268 - M 2 x 8, U - Scheibe 21210 ϕ 2,2 und Mutter 21208 - M 2 am Rahmen befestigt.

Die Trittböcher 30260 hinten, 30262 vorne links, 30264 vorne rechts und 30266 lang werden mit Doppelklebeband auf die

Seitenteile geklebt Die Anspritzlaschen kürzen Sie vorher entsprechend. Als nächstes werden die beiden Seitenteile 30256 rechts und 30258 links mit 2 Schrauben 20018 M 3 x 8, 2 x Fächerscheibe 20054 ϕ 3,2 und 2 Muttern M 3 am Rahmen befestigt. Dazu schieben Sie die Seitenteile mit ihren Aufnahmen in die Halter. Die Fächerscheibe wird direkt unter den Kopf der Schraube gelegt damit die Öffnung des Schlitzes überbrückt wird.

8. Finishing of the frame units

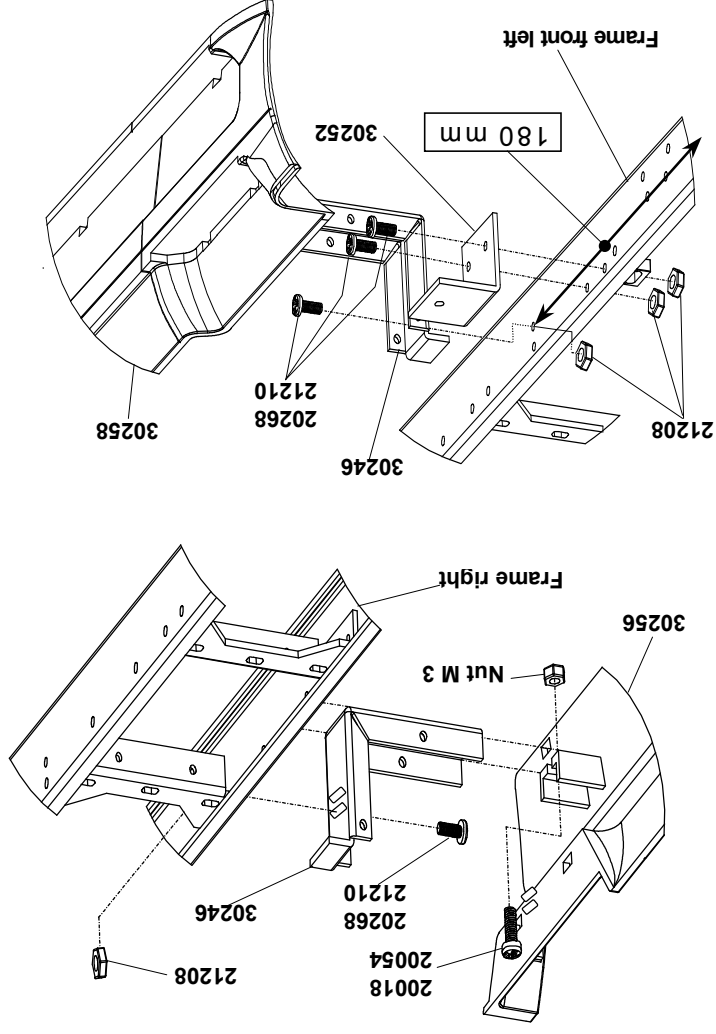


8.1 Side body
8.2 Assembly

Start mounting the complementary parts from the rear to the front. The step footboard in frame and fixed with a nut 21208 M 2. Not yet tighten the screws of the supports, because of a possible correction of the side bodies after the assembly of the motor hood. The two supports for the driver's cab 30250 right and 30252 left are also fixed on the frame with 2 screws 20268 M 2 x 8, washers 21210 ø 2,2 and nuts 21208 M 2. The support footboard 30242 is fixed with 2 screws 21268 M 2 x 6 and 2 nuts 20018 M 3 x 8 and 2 stop nuts 30568 M 3 to the rear support for the driver's cab is fixed to the first crosshead with 2 screws 20018 M 3 x 8, 2 washers 20046 ø 3,2 20046 and 2 stop nuts 30568 M 3. Next the 8 reinforcement plates 30248 are fixed to the right and the left connection plates with 2 screws 20018 M 2 x 8, 2 washers 21210 ø 2,2 and nuts 21208 M 2. The step boards 30260 long are fixed with double-sided adhesive tape at the side parts. Now the both side bodies 30256 right and 30258 left are fixed on the frame with 2 screws 20018 M 3 x 8, 2 serated washers ø 3,2 and 2 nuts M 3. Slide the side bodies to the supports.

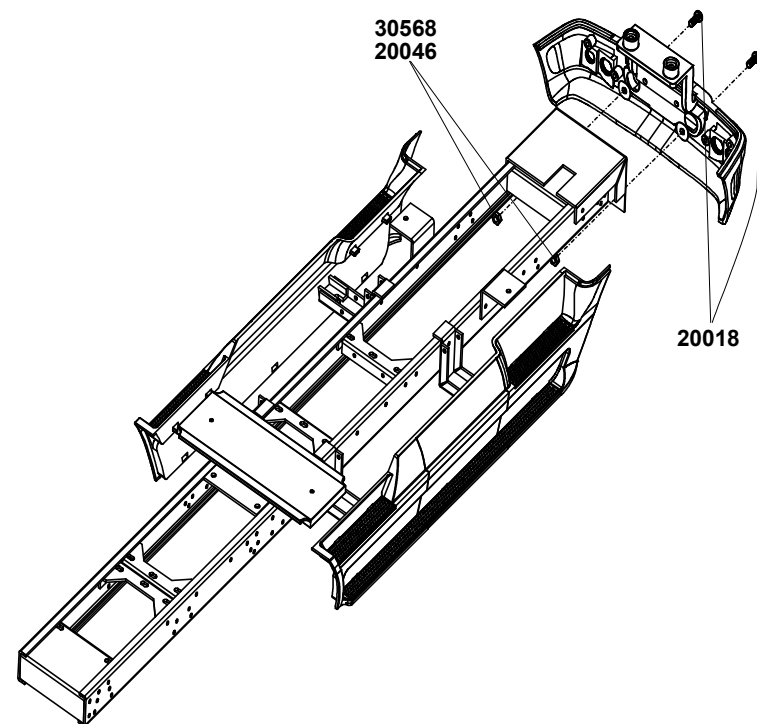
The two other supports are in front of the rear step board. A screw 20268 M 2 x 8 with a washer 21210 ø 2,2 is put through the upper slot of the support into the bore hole of the frame and fixed with a nut 21208 M 2. Not yet tighten the screws of the supports, because of a possible correction of the side bodies after the assembly of the motor hood.

The two supports for the driver's cab 30250 right and 30252 left are also fixed on the frame with 2 screws 20268 M 2 x 8, washers 21210 ø 2,2 and nuts 21208 M 2. Pay attention on that the upper faces are parallel to the first crosshead with 2 screws 20018 M 3 x 8, 2 washers 20046 ø 3,2 20046 and 2 stop nuts 30568 M 3. Next the 8 reinforcement plates 30248 are fixed to the right and the left connection plates with 2 screws 20018 M 2 x 8, 2 washers 21210 ø 2,2 and nuts 21208 M 2. The step boards 30260 long are fixed with double-sided adhesive tape at the side parts. Now the both side bodies 30256 right and 30258 left are fixed on the frame with 2 screws 20018 M 3 x 8, 2 serated washers ø 3,2 and 2 nuts M 3. Slide the side bodies to the supports.



Qty.	No.	Assembly part
8	20018	Screw M 3 x 8
4	20040	Nut M 3
8	20046	Washer ø 3,2
4	20054	Serated washer A ø 3,2
28	20268	Screw M 2 x 8
30	21208	Nut M 2
28	21210	Washer ø 2,2
2	21268	Screw M 2 x 6
1	30242	Support footboard, rear
1	30244	Support driver's cab, rear
4	30246	Connection plate, lower side body
8	30248	Reinforcement plates
1	30250	Support driver's cab, front right
1	30252	Support driver's cab, front left
1	30254	Bumper bracket
2	30256	Lower side body right
2	30258	Lower side body left
2	30260	Short step board, rear
1	30262	Step board, front left
1	30264	Step board, front right
1	30266	Long step board
1	30276	Step footboard, rear
1	30278	Support footboard, rear
4	30568	Hex head nut M3 (Stop nut)

8.3 Montage Stossstange



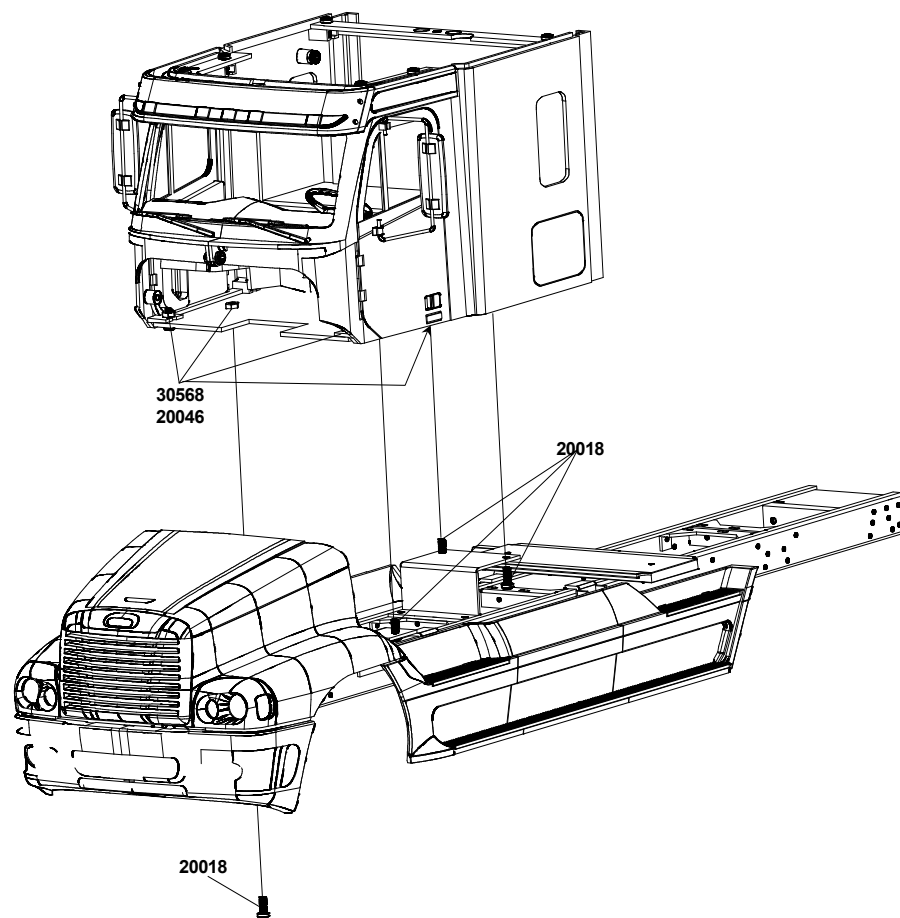
Baustufe 8.3 Stossstange

Anz.	Nr.	Bauteil
2	20018	Schraube M 3 x 8
2	20046	U – Scheibe ϕ 3,2
2	30568	Stopfmutter M 3

Montage Stossstange

Bevor Sie die einzelnen Baugruppen auf das Fahrgestell montieren, sollten diese kompl. vormontiert sein. Bei Einbau einer elektrischen Fernsteueranlage müssen auch diese Baugruppen vorher auf das Fahrgestell montiert werden. Die Stossstange mit Motorhaube wird mit 2 Schrauben **20018** M 3 x 8, 2 U – Scheiben ϕ 3,2 und 2 Stopfmutter **30568** M 3 am Rahmen befestigt.

8.4 Montage Fahrerhaus



Baustufe 8.4 Fahrerhaus

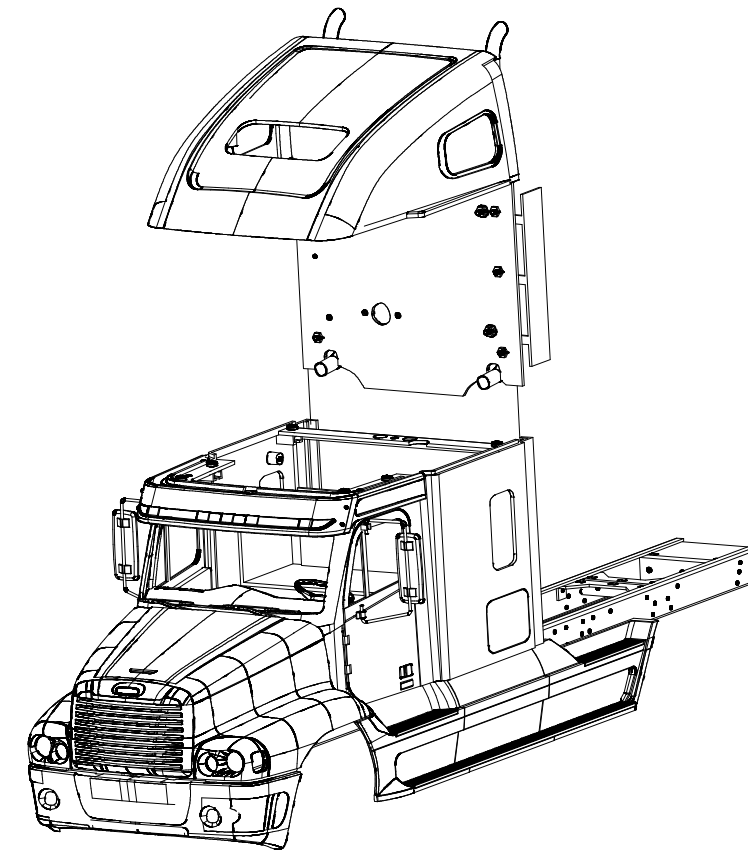
Anz.	Nr.	Bauteil
4	20034	Schraube M 3 x 10
4	20046	U – Scheibe ϕ 3,2
4	30568	Stopfmutter M 3

Montage Fahrerhaus

Das Fahrerhaus wird mit 4 Schrauben **20034** M 3 x 10, 4 U – Scheibe ϕ 3,2 und 4 Stopfmutter **30568** M 3 auf dem Rahmen befestigt. Jetzt können Sie auch die Seitenteile ausrichten. D. h. Sie schieben die Seitenteile soweit vorwärts oder rückwärts bis sich ein sauberer Übergang mit dem Kotflügel der Motorhaube ergibt. Danach können die Seitenteile endgültig verschraubt werden.

8.5 Montage Dach

8.6 Montage Seitenspoiler



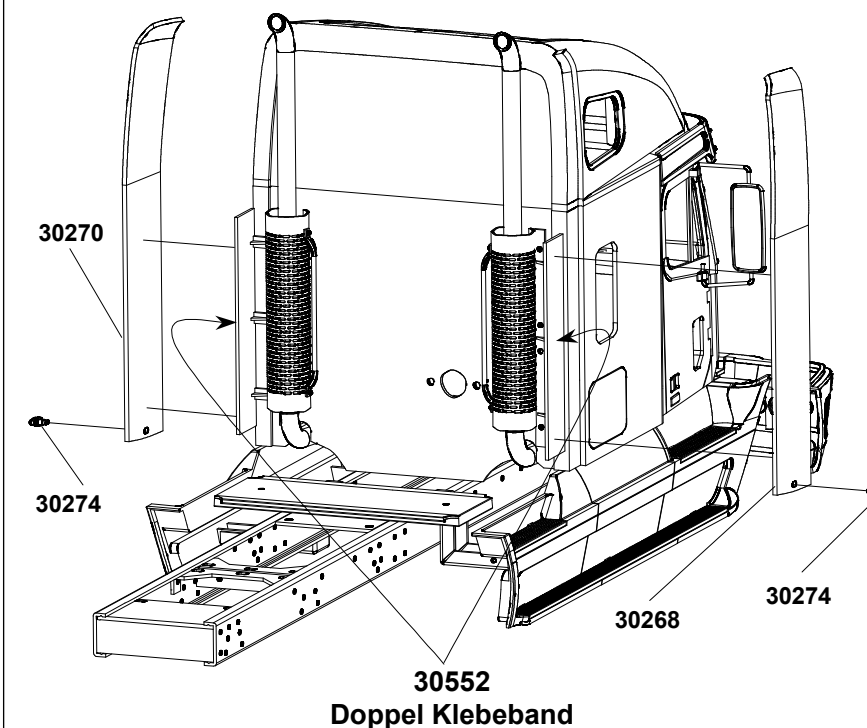
Montage Dach

Bevor das Dach aufgesetzt wird sollte, wenn gewünscht, eine E – Anlage in das Fahrerhaus montiert werden.

Das Dach wird mit der montierten Rückwand in die Schlitze der Seitenwände geschoben. Die Führungsbolzen positionieren automatisch den richtigen Sitz. Mit den Türgriffen wird das Dach verriegelt.

Baustufe 8.6 Spoiler

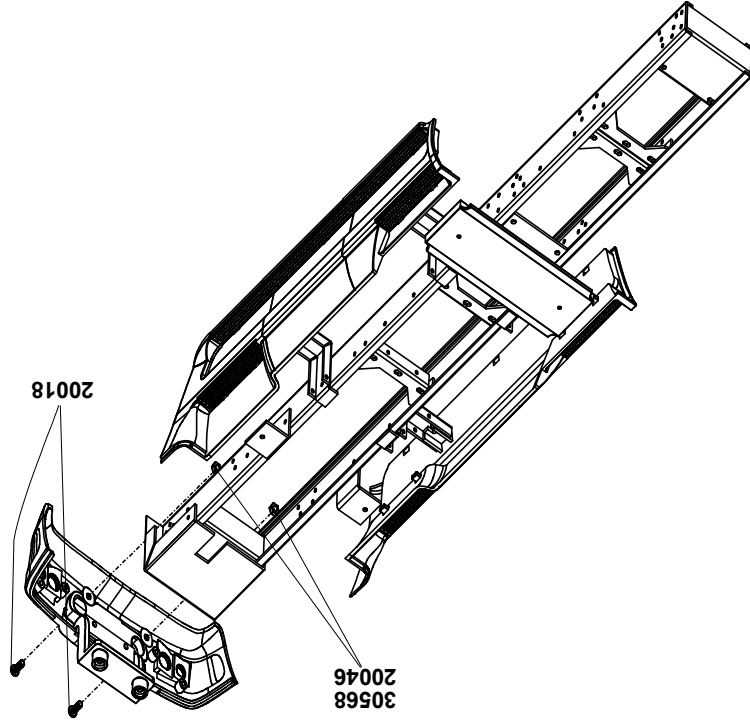
Anz.	Nr.	Bauteil
1	30268	Seitenspoiler rechts
1	30270	Seitenspoiler links
2	30274	Seitenstrahler - Spoiler
2	30552	Streifen Doppel-Klebeband



Montage Seitenspoiler

Auf die Halter für die Spoiler kleben Sie einen Streifen Doppel – Klebeband. Die Spoiler **30268** rechts und **30270** links kleben Sie im gleichmässigen Abstand zum Fahrerhaus auf. Die beiden Seitenstrahler **30274** werden in die Bohrungen der Spoiler gedrückt.

8.3 Assembly bumper

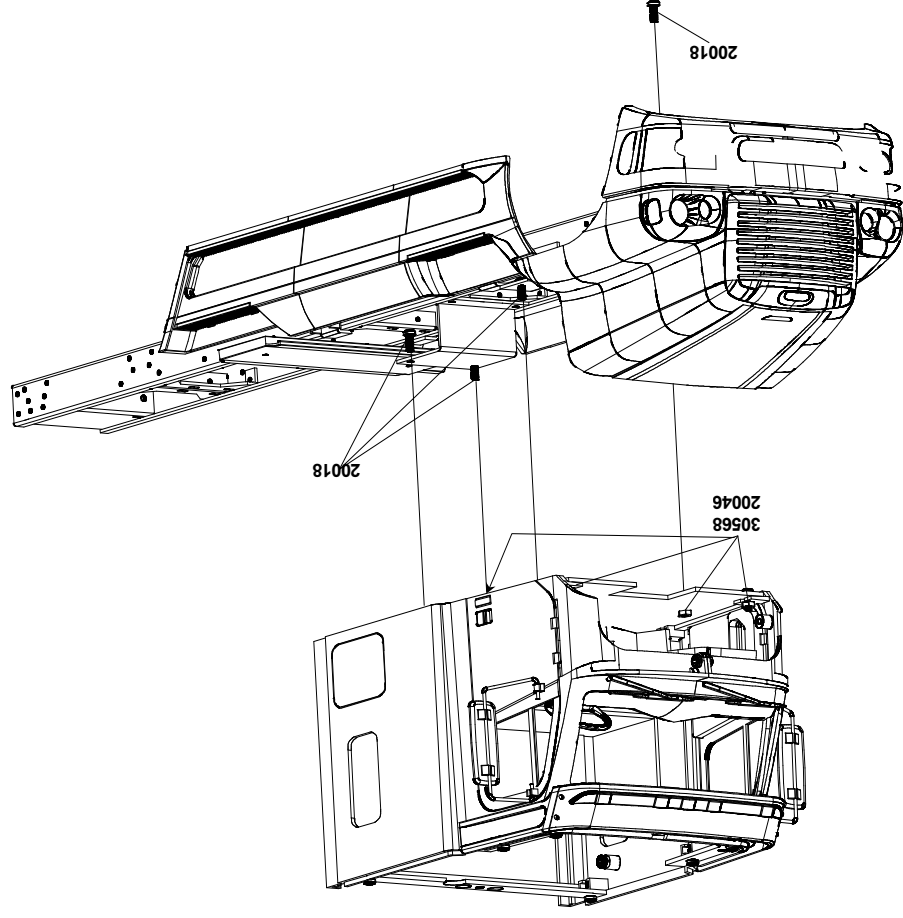


8.3 Assembly bumper
 Before mounting the single groups to the chassis these should be completely assembled. When inserting an electrical system also these groups have to be mounted to the chassis. The bumper with engine hood are fixed to the frame with

Qty.	No.	Assembly part
2	20018	Screw M 3 x 8
2	20046	Washer ϕ 3,2
2	30568	Hex head nut M 3 (Stop nut)

Assembly step 8.3 Bumper

8.4 Assembly driver's cab

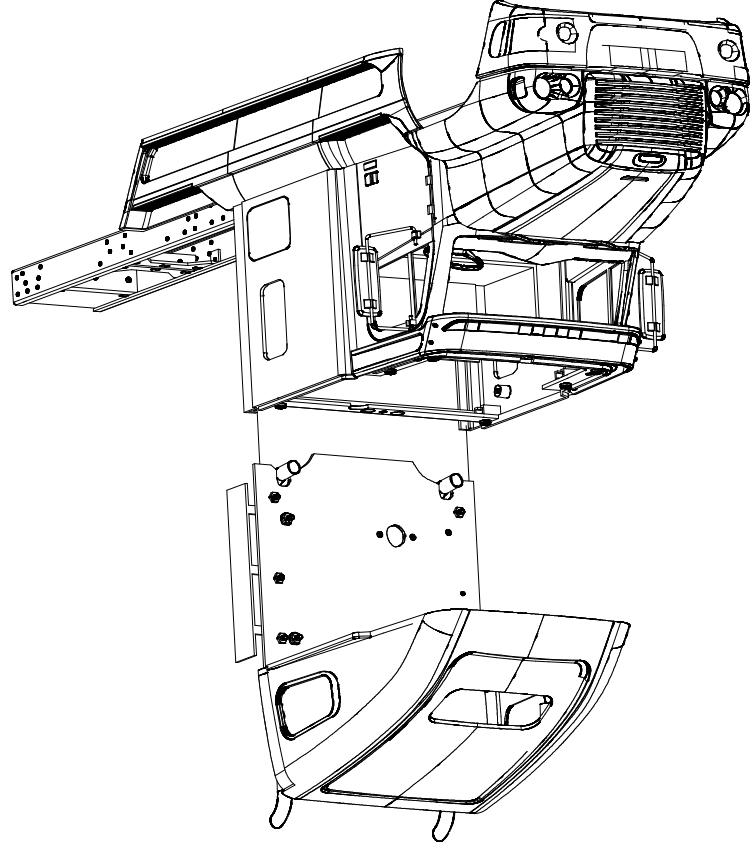


8.4 Assembly driver's cab
 The driver's cab is fixed to the frame with 4 screws 20034 M 3 x 10, 4 washers ϕ 3,2 and 4 stop nuts 30568 M 3. Now the side bodies can be adjusted: slide these forwards and backwards till a tidy passage to the fender of the engine hood is achieved. Now the side bodies can finally be screwed.

Qty.	No.	Assembly part
4	20034	Screw M 3 x 10
4	20046	Washer ϕ 3,2
4	30568	Hex head nut M 3 (Stop nut)

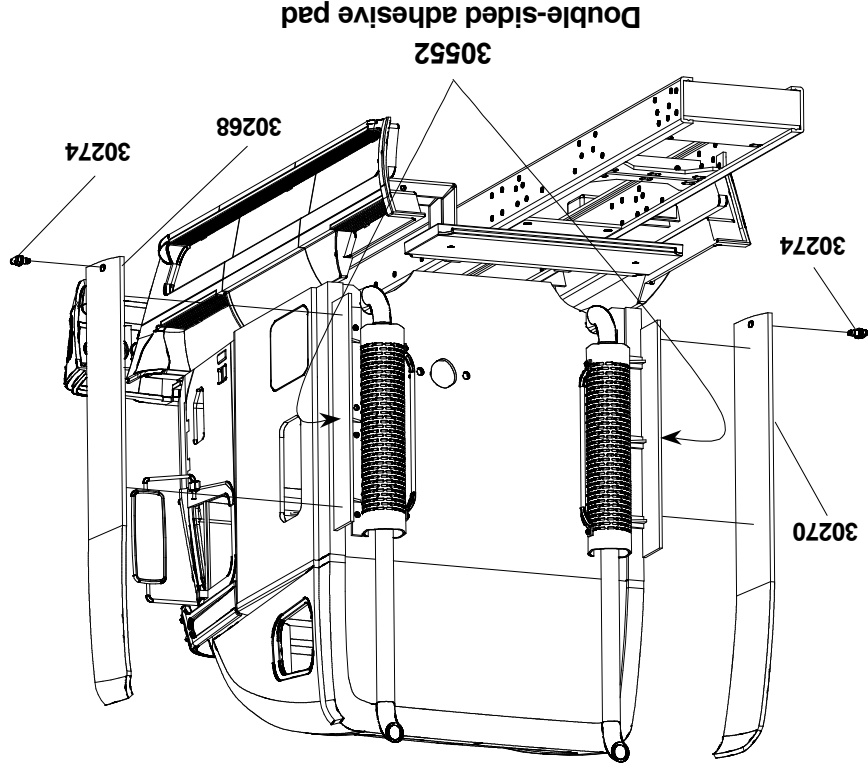
Assembly step 8.4 Driver's cab

8.5 Assembly roof



8.5 Assembly roof
 If requested an electric system has to be mounted into the driver's cab before the roof is put on.
 The roof is pushed together with the assembled back into the slots of the side bodies. The guiding bolts pose the right place automatically.
 The roof is barred with the door handles.

8.6 Assembly side spoiler



8.6 Assembly side spoiler
 Fix a double-side adhesive pad on the supports of the side spoilers. Then fix the spoiler 30268 right and 30270 left with the same double-side adhesive pad. The two side spoiler lenses 30240 are pressed into the bores of the spoiler.

Qty.	No.	Assembly part
1	30268	Side spoiler right
1	30270	Side spoiler left
2	30274	Side spoiler lens
2	30552	Double-side adhesive pad

Assembly step 8.6 Spoiler